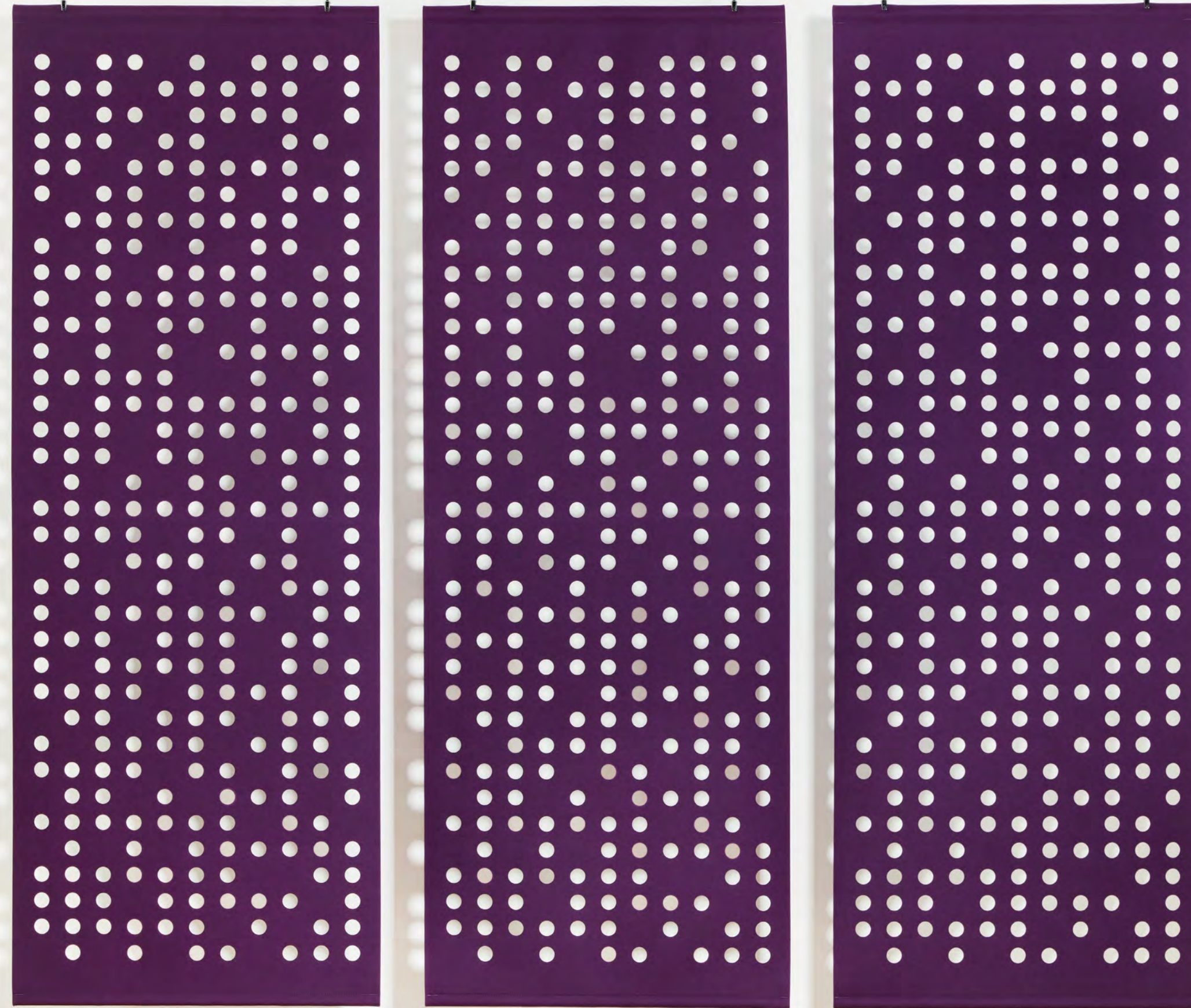


# interior felt



Suspended Screens

1	Overview
7	Design Library
12	Hardware
22	Color Range
23	Specifications

# Overview

1 — Overview

Suspended Screens can close off and give definition to a particular area. Made with 100% Wool Designer Felt, they are a soft and organic alternative to noise-reflective glass and other hard surface partitions. Choose from a wide selection of solid felt panels and CNC cut patterns. Our felt screens can be installed as fixed hanging pieces or a gliding track system.





## TD Wealth

Featured Colors:  
382 Pebble Gray

Featured Design:  
Custom

Gensler's design for TD Wealth's Toronto office required subtle division, privacy, and some acoustic management. The global design and architecture firm specified our Suspended Screens to meet these needs and to provide the space with a warm and natural feel. We worked closely with the project's designers to create a custom pattern that matches TD Wealth's branding.



## Microsoft ThinkPlace

Featured colors:  
155 Forest Green

Featured Design:  
Custom

Designers at Little Diversified Architectural Consulting approached us with a simple design for our Suspended Screens, our team responded by demonstrating its robust CNC capabilities. We then collaborated with them on an intricate tree motif implemented across twelve panels, each nearly ten feet tall. Up close, one senses the pattern as an abstract and shifting collection of shapes; these shapes resolve as a forest only as you step away.



# Gowlings

Featured colors:  
133 Bright Red  
142 Fuchsia  
162 Arctic Blue  
164 Electric Blue

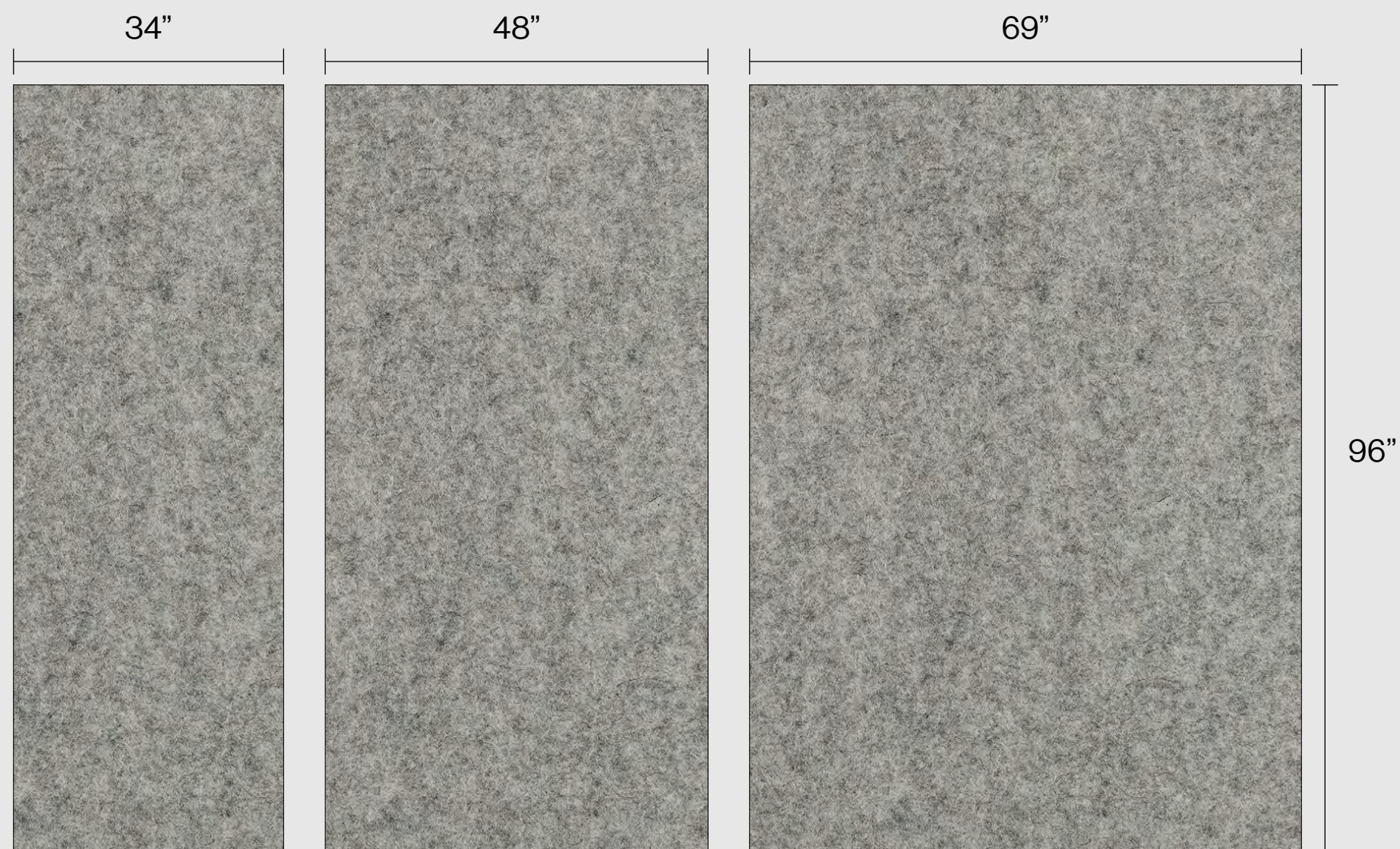
Featured Design:  
Hexagons

iN STUDIO designed five floors of contemporary office space integrating our track mounted Suspended Screens. As a part of the color blocked design, our screens matched with a unique corporate brand color for each floor. Through a collaborative process, we supported the design team to achieve this highly customized installation to open and close off collaboration zones on each floor.

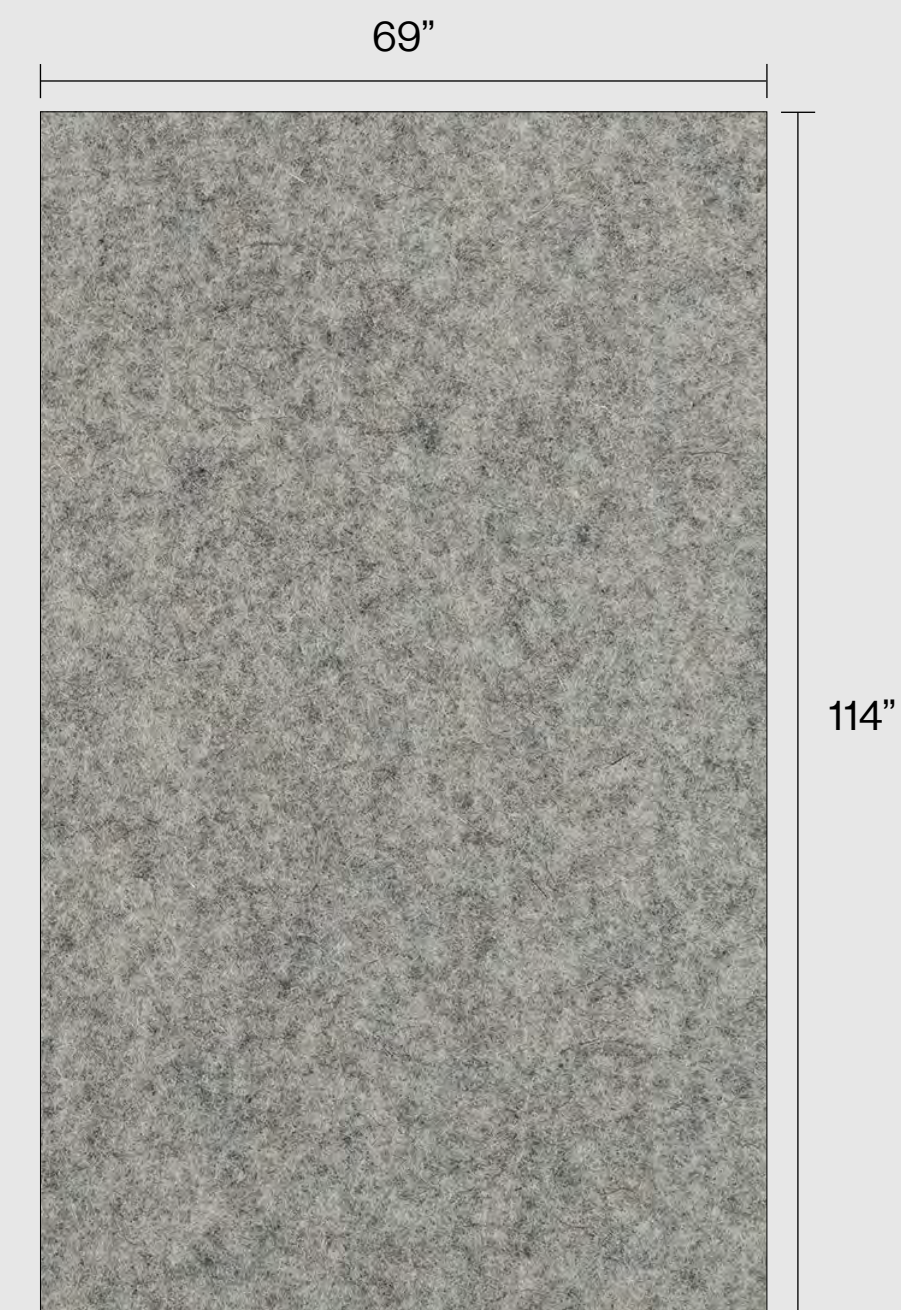
# Dimensions & Details

Our Suspended Screens offer subtle privacy and separation in contemporary spaces. Whether hung with our elegant stationary hardware or mounted to be moved on our track system, our screens will fit where you need them.

## Standard Sizes



## Maximum Dimensions



## Summary

- Thickness**
- Top Bar thickness: 1.125" / 29mm (nominal)
  - 100% Wool Designer Felt: 0.197" / 5mm (nominal)
  - Bottom Bar thickness: 0.75" / 19mm (nominal)

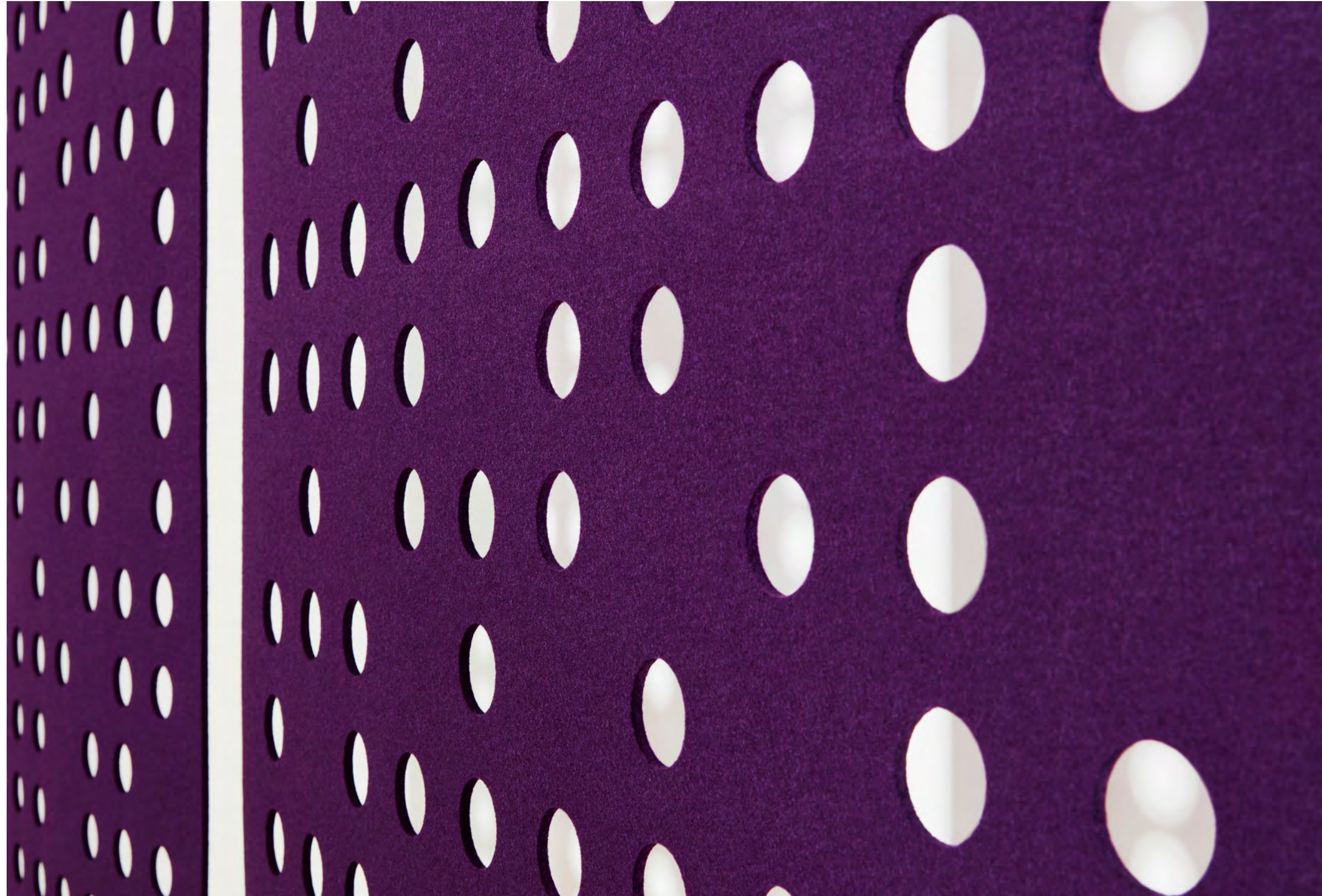
- Standard Sizes**
- Width: 34" / 48" / 69"
  - Height: 96"
  - Maximum dimensions: 69" W x 114" H
  - Custom sizes upon request

- Design**
- Solid, standard and custom options available

- Hardware**
- Adjustable stationary hardware or track mounted system

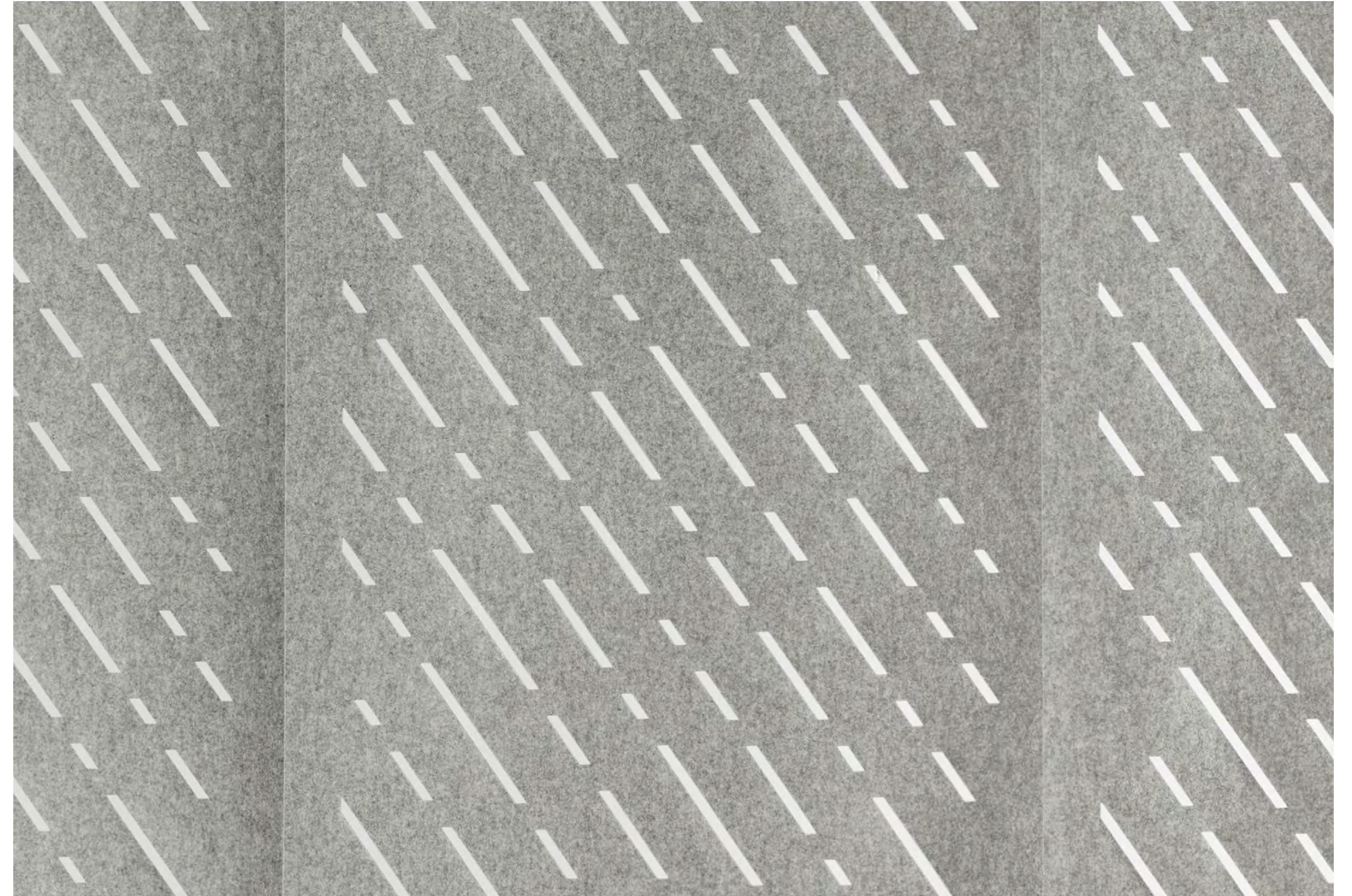
- Flammability**
- Test reports available upon request

## Geometric Collection



Our popular geometric patterns look great as a tenuous divider letting a little light break through the 5mm 100% Wool Designer Felt screen. The pattern can be applied to different screen dimensions while still preserving the essence of the design.

## Designer Collection

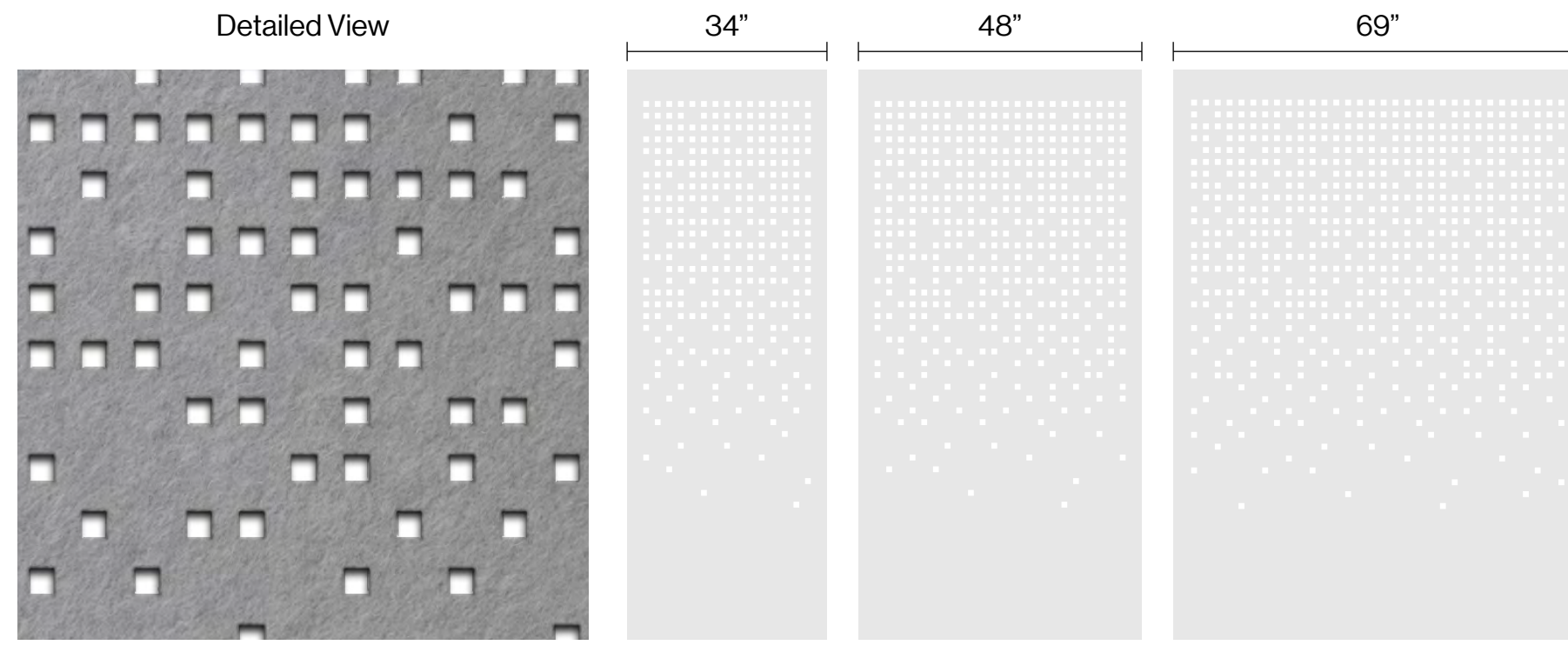


Our Designer Collection provides unique patterns as visual partitions within any space. Whether stationary or track mounted, these designs are accentuated by the interplay of light filtering through the openings, creating a lovely visual effect.

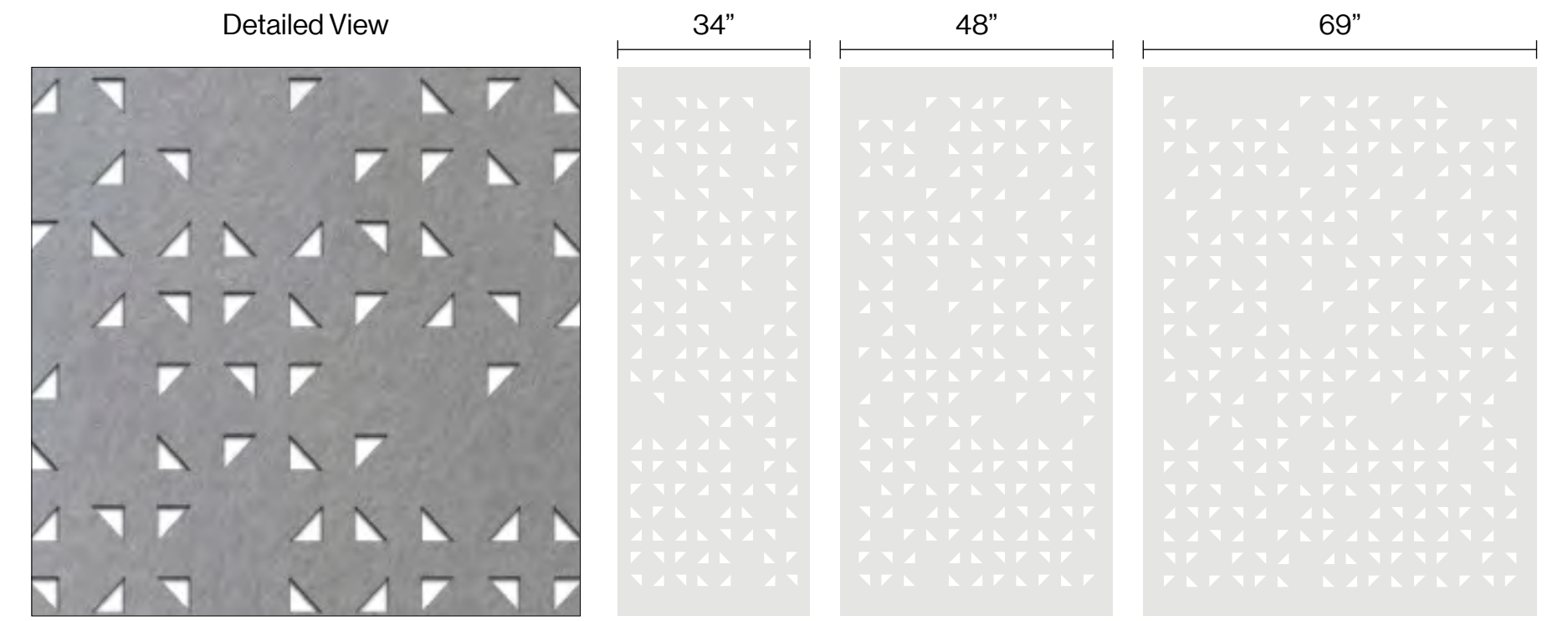
# Design Library

## Geometric Collection

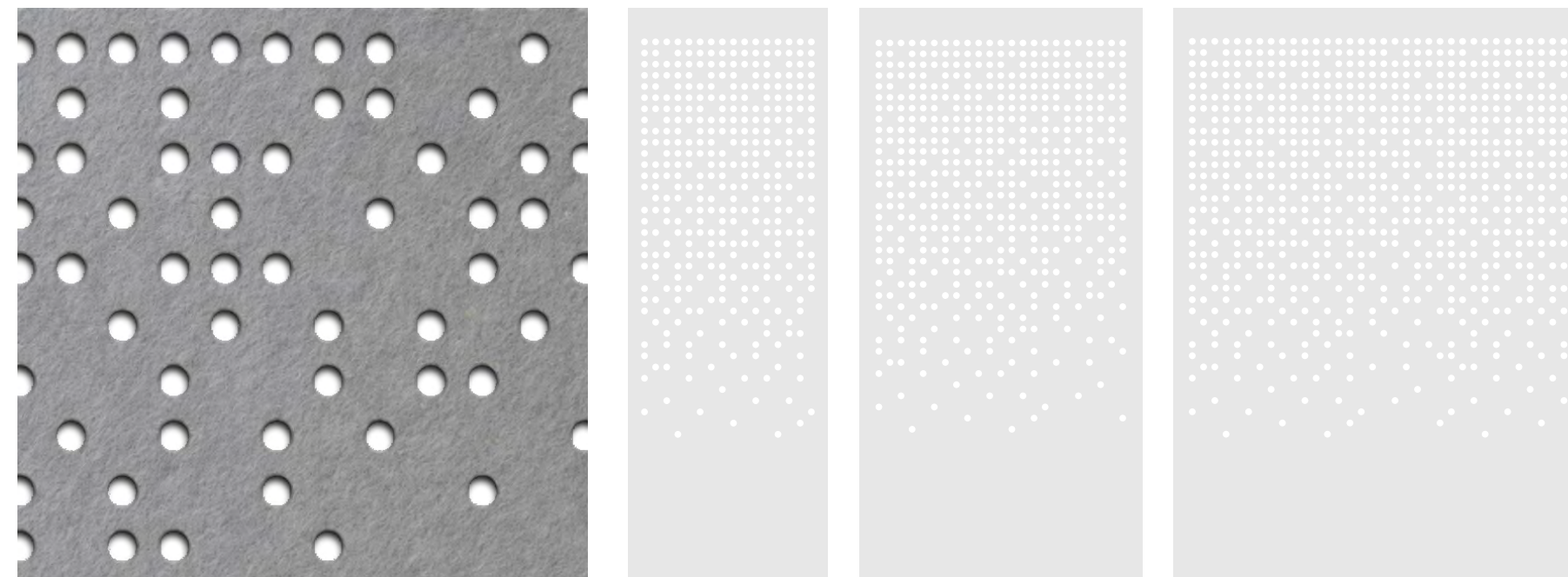
### Fading Squares



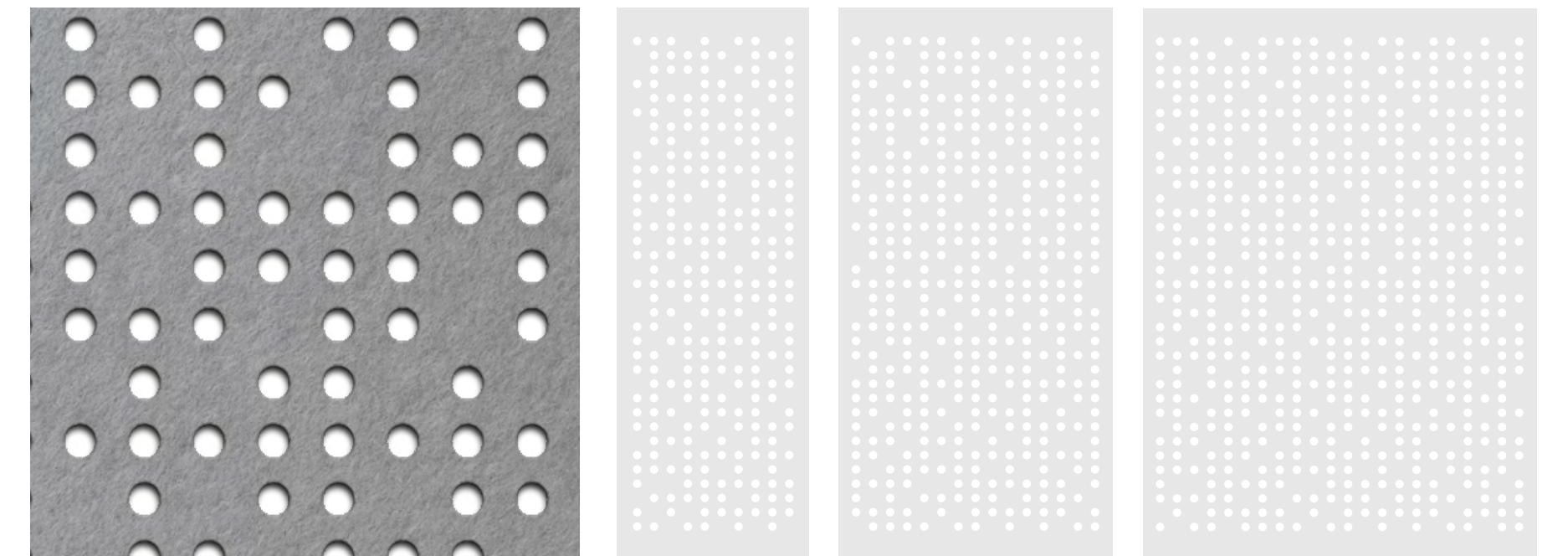
### Triangles



### Fading Circles



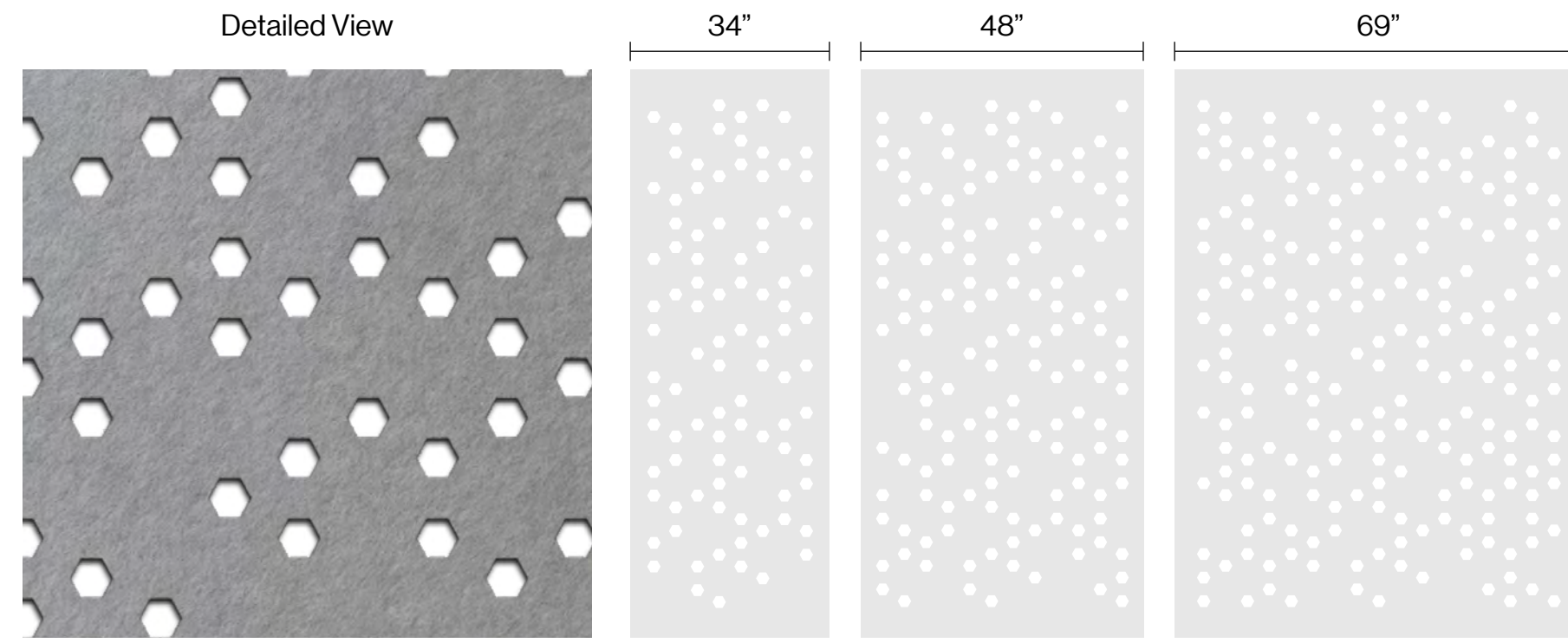
### Circles



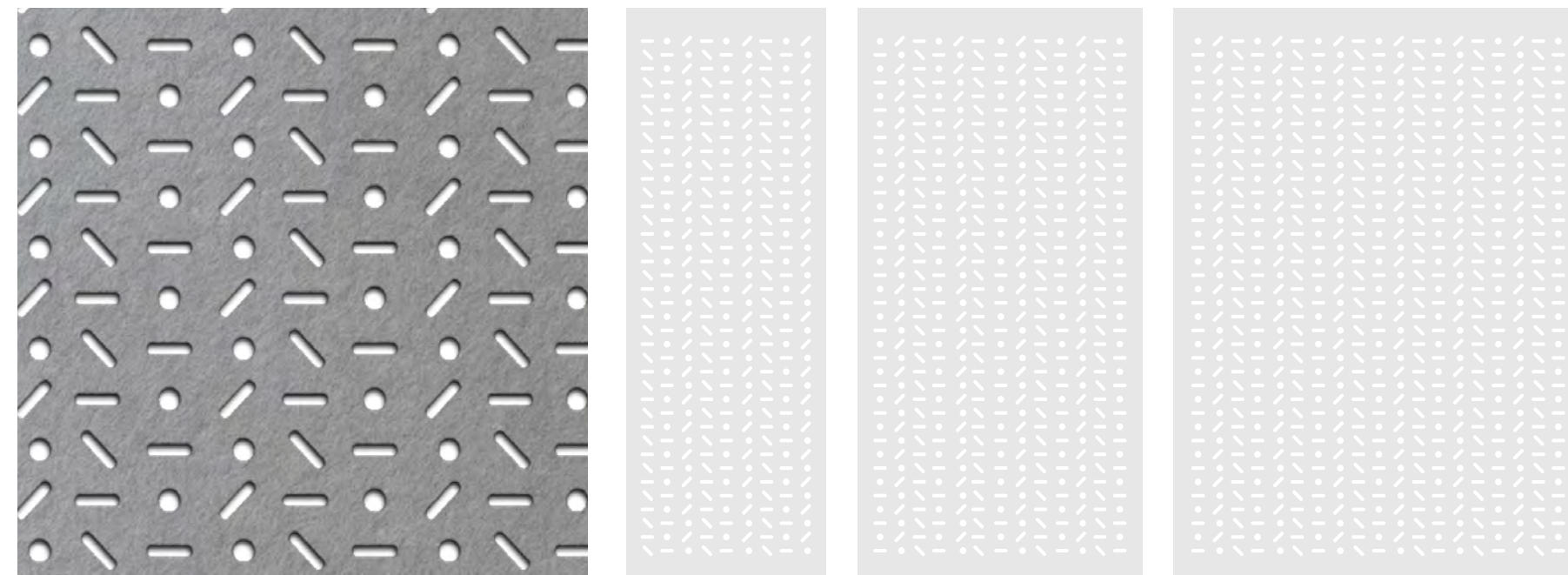
# Design Library

## Geometric Collection

### Hexagons



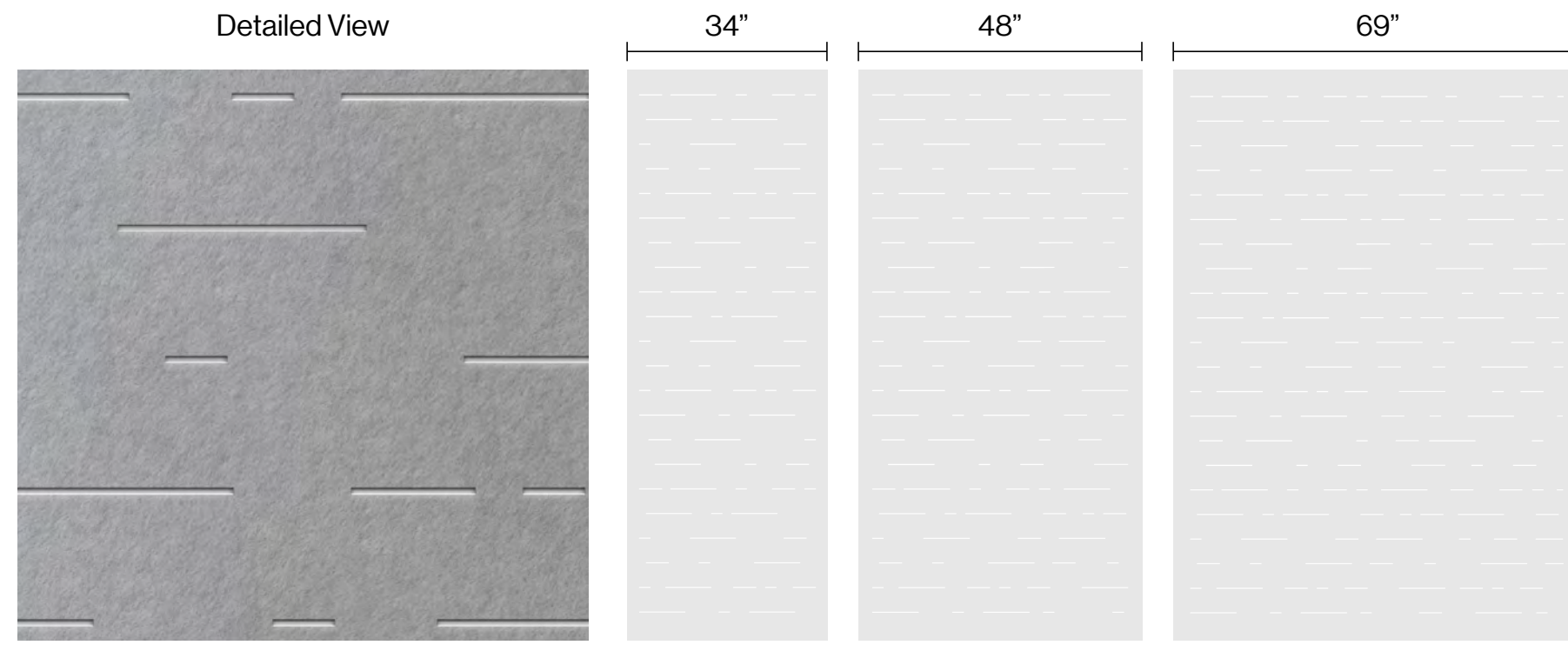
### Capsules



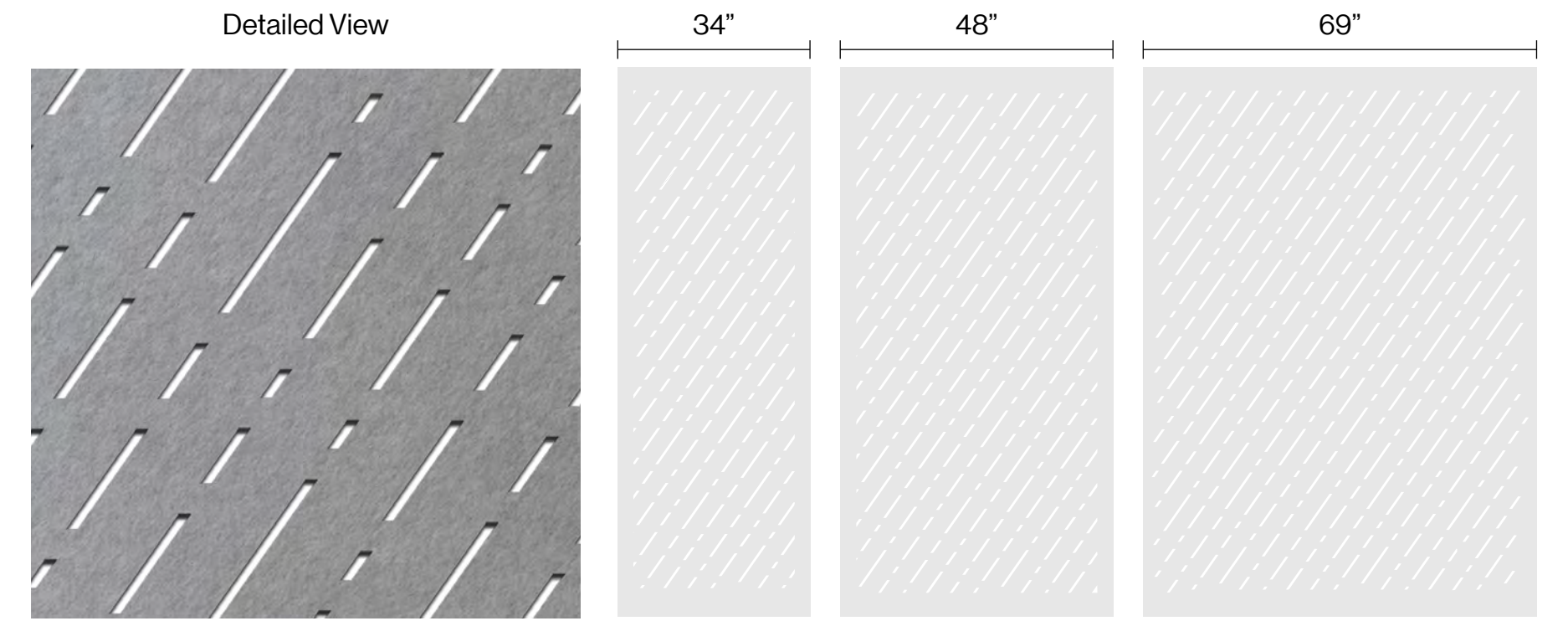
# Design Library

## Designer Collection

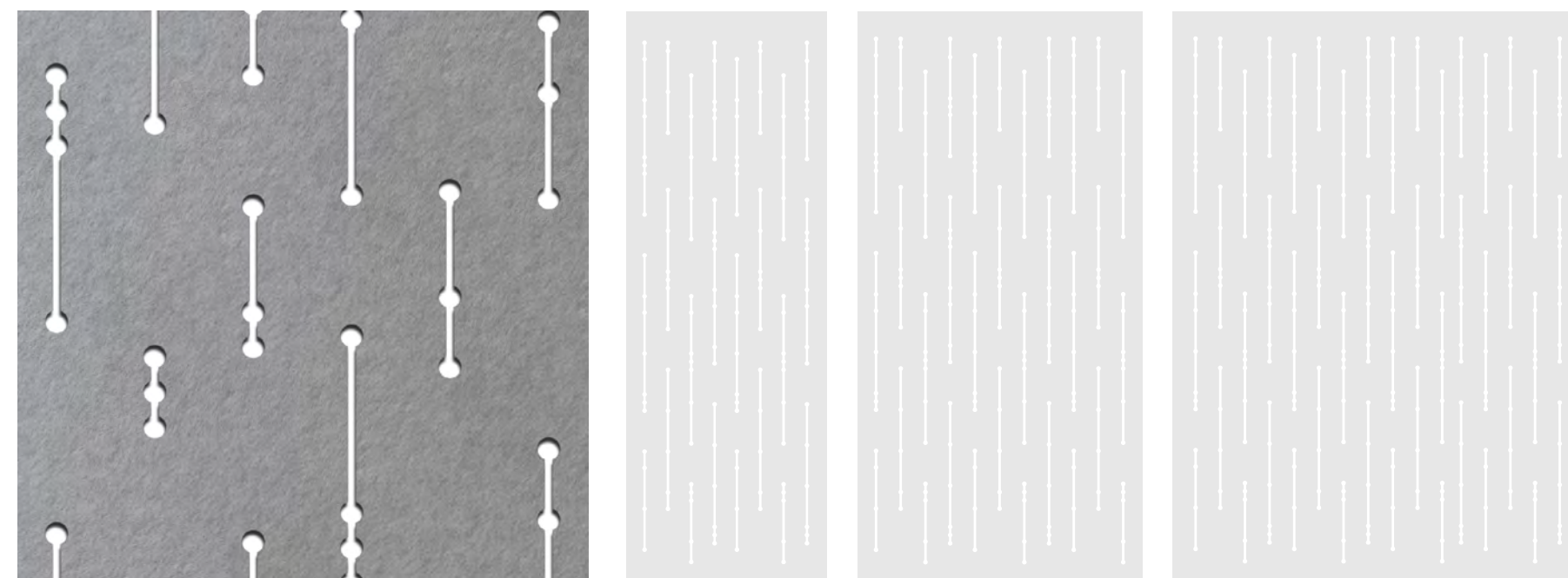
**Birch**



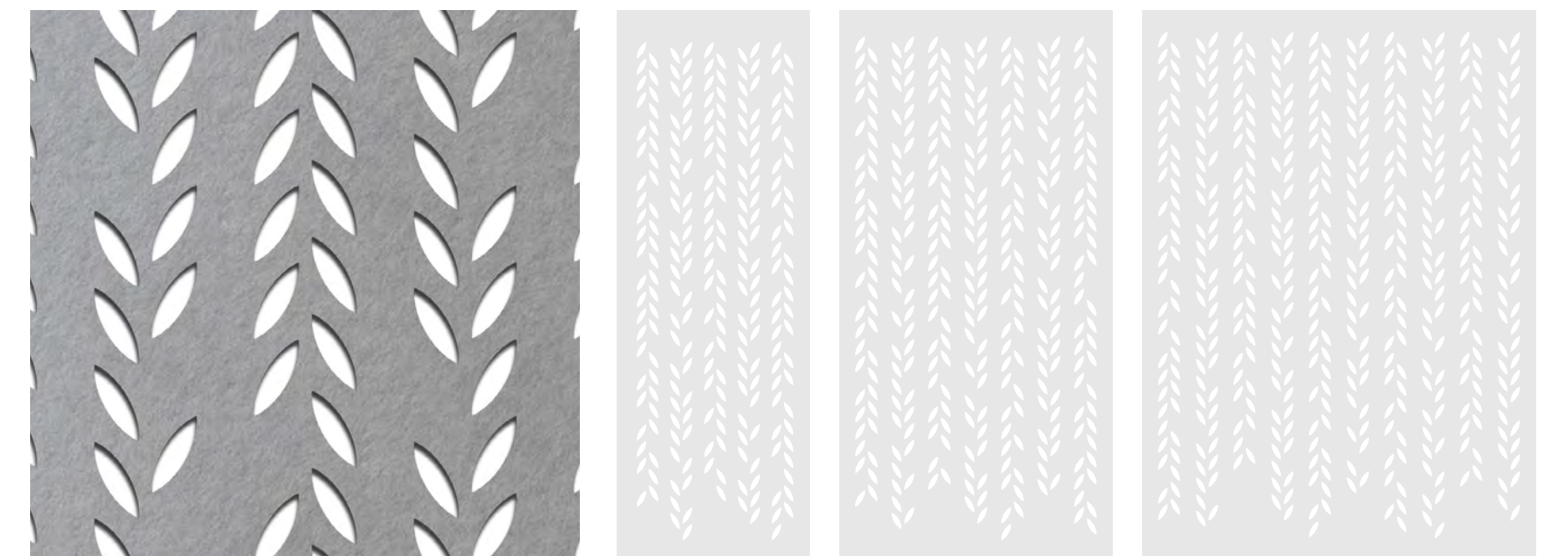
**Rain**



**Pathway**



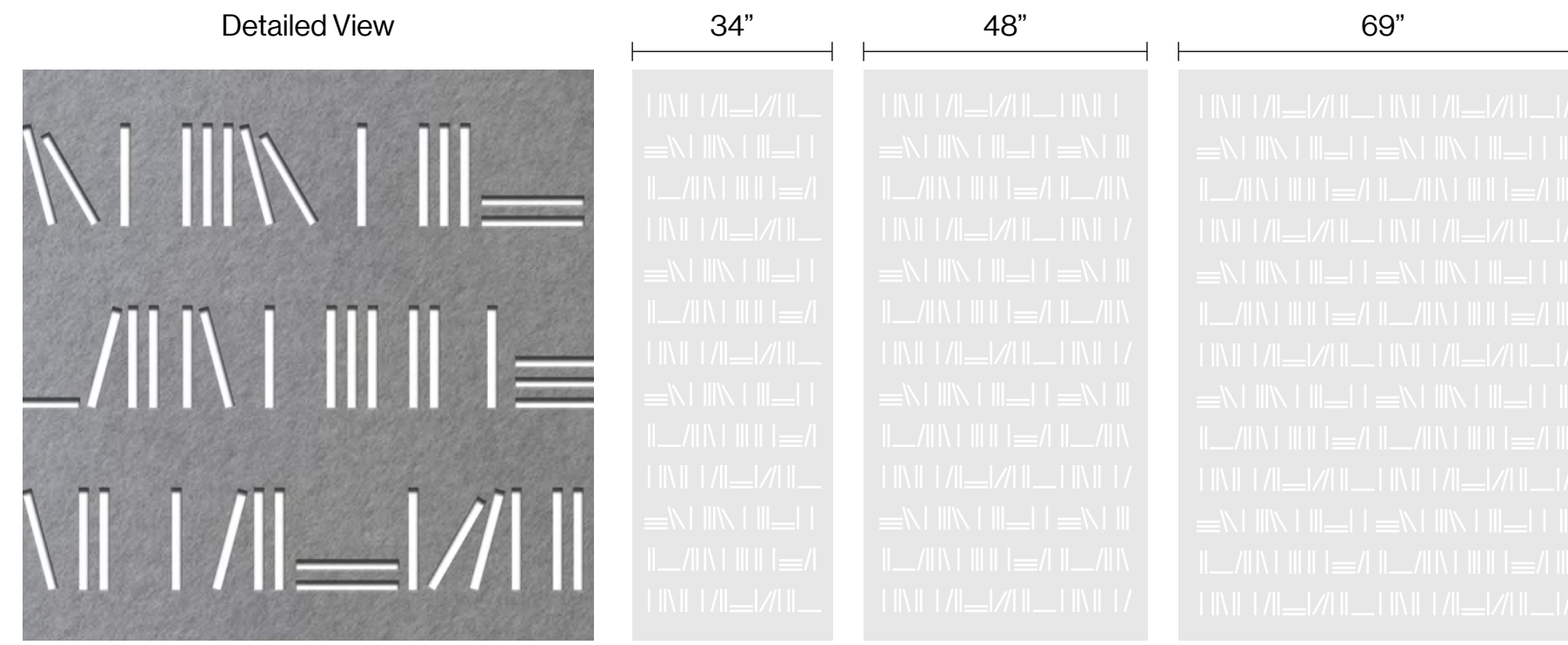
**Willow**



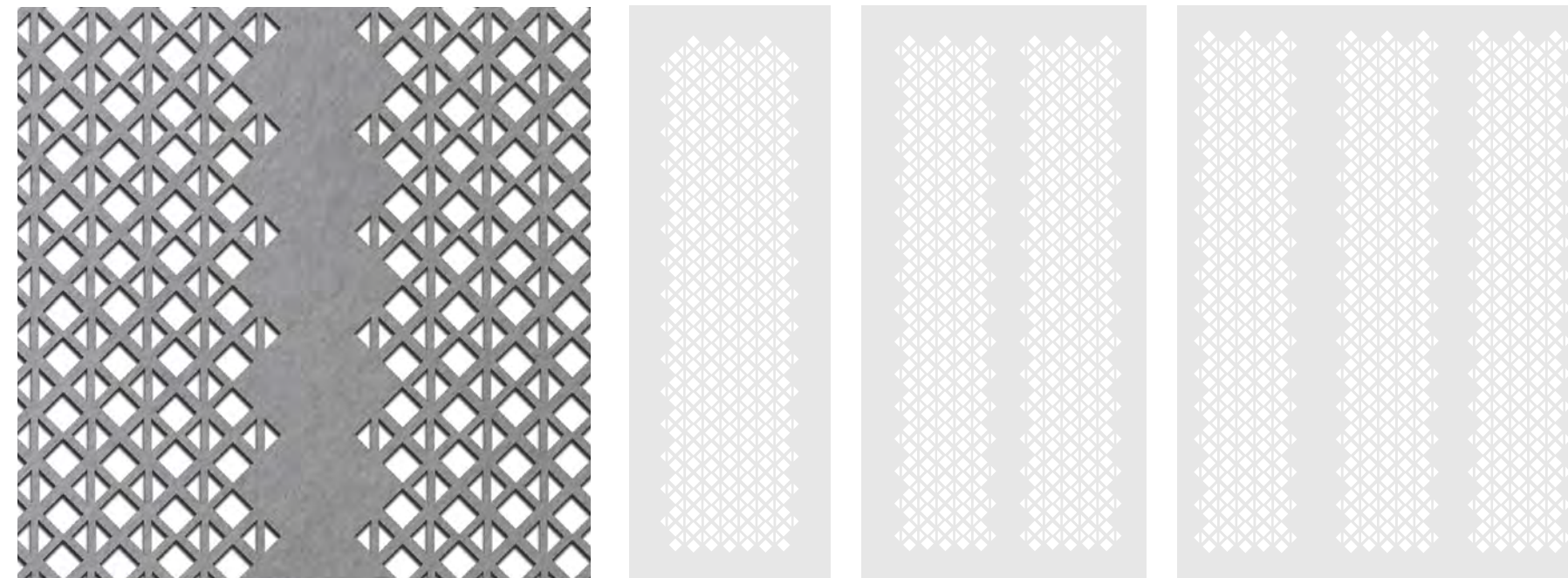
# Design Library

## Designer Collection

### Library



### Thomson



## Stationary Hardware



When our screens are being used to divide a space our sleek and subtle stationary hardware is a great solution. They allow for a straight-forward installation and easy height adjustment for perfect placement.

## Track Mounted Hardware



The utility of your space can shift and change so our track mounted screens allow for flexibility. Allowing a space to be open and closed off as needed while providing subtle privacy and design.



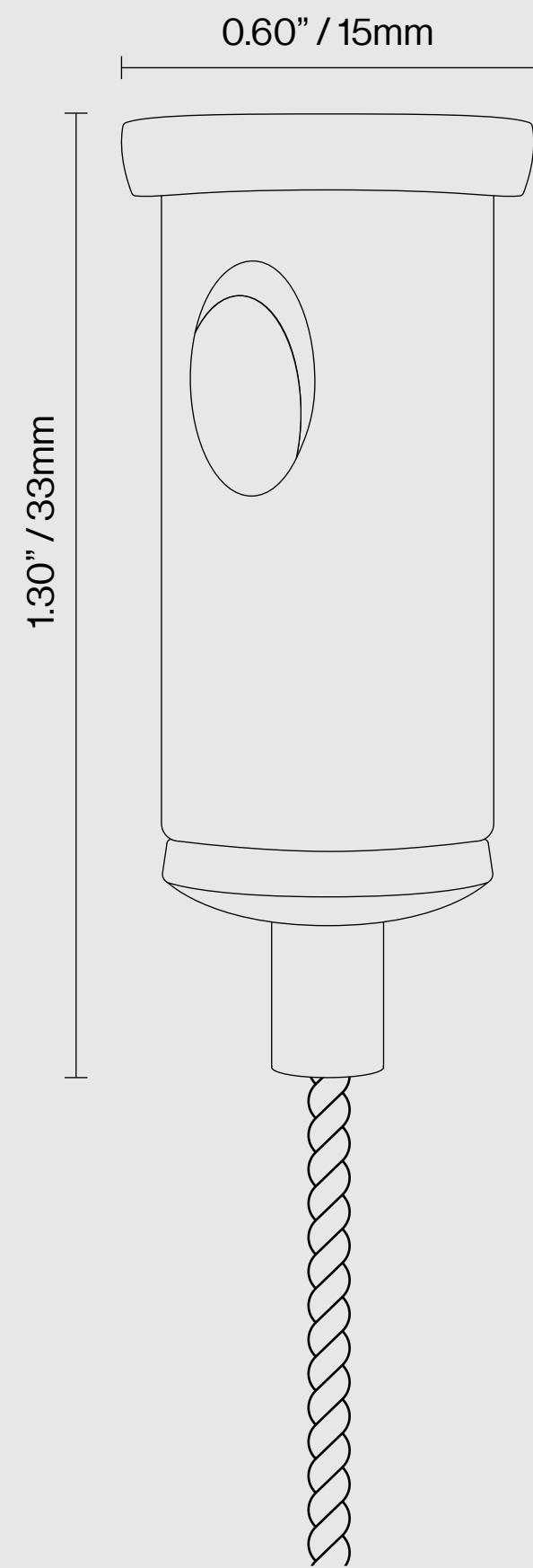
U-Connector and Adjustable Anchor



Track Mounted

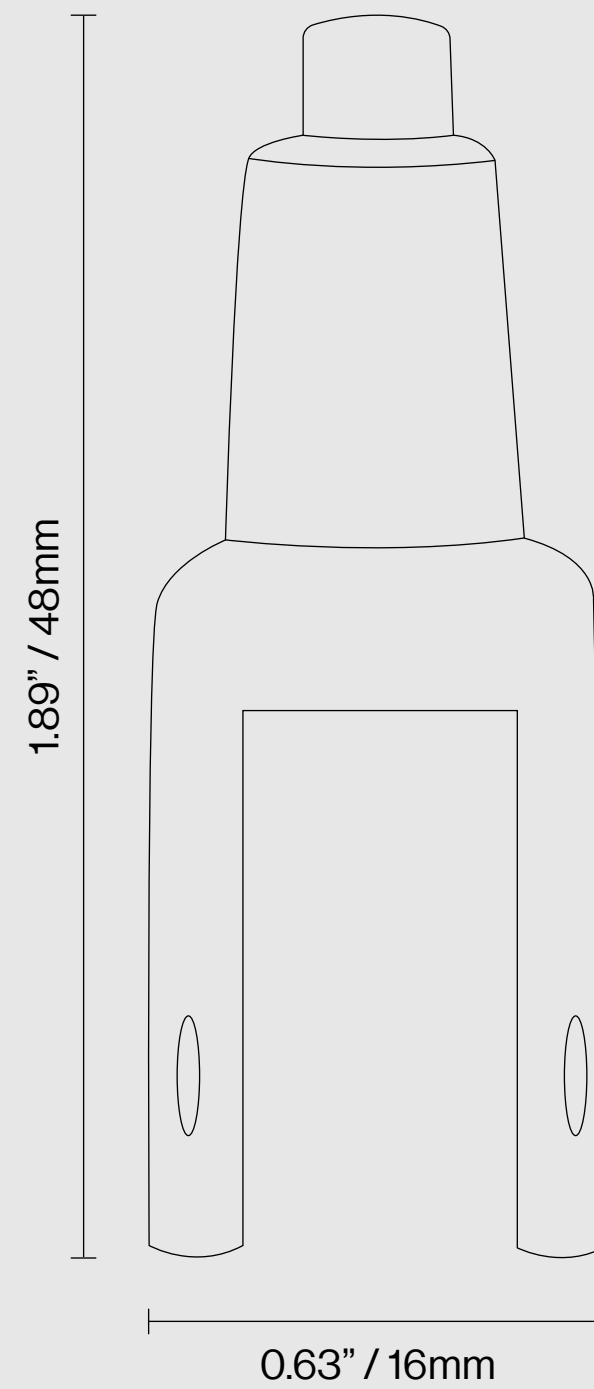
# Stationary Hardware

## Adjustable Anchor



Adjustable Hardware  
Approximate weight: 14.3g / 0.50oz

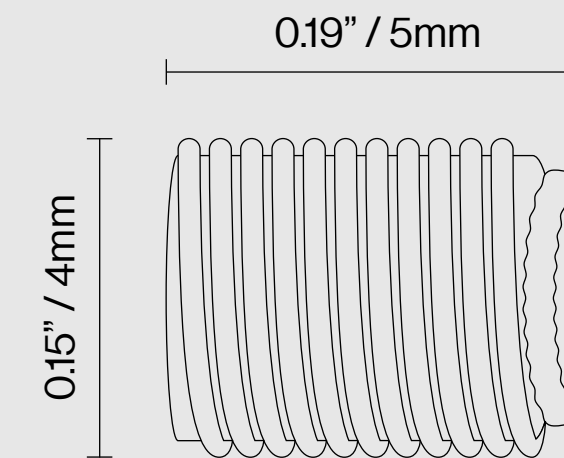
## U-Connector



Adjustable Hardware  
Approximate weight: 19g / 0.67oz

U-Connector comes with approximately  
48 inches of aircraft cable

## U-Connector Set Screw

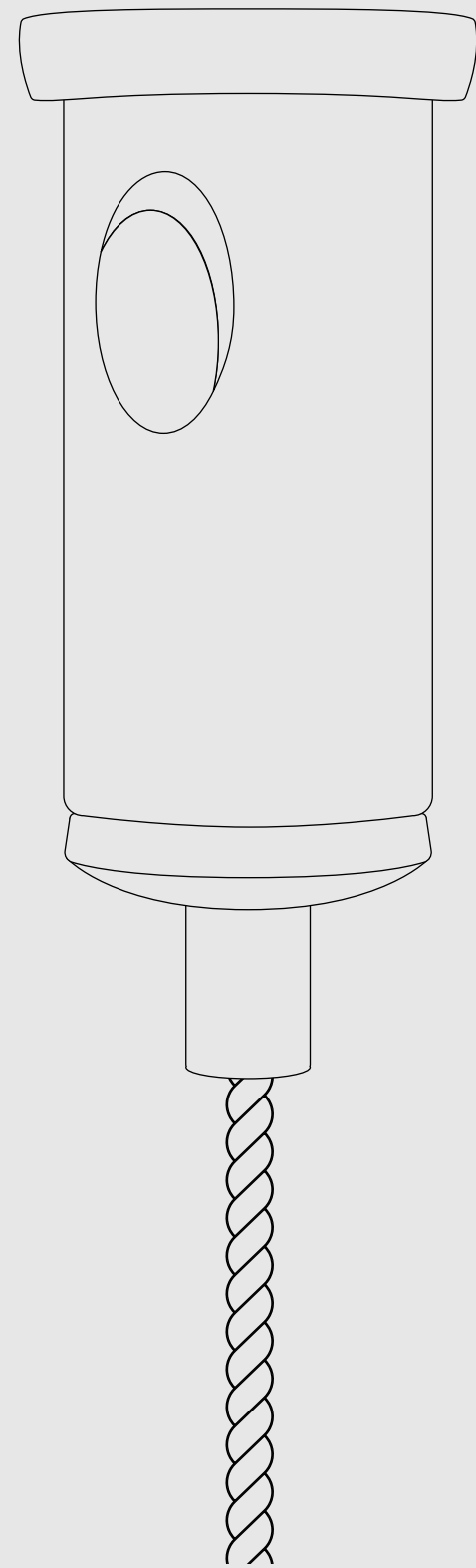


M5  
Approximate weight: 0.5g / 0.02oz

Hex Driver Required: 7/64" / 2.5mm

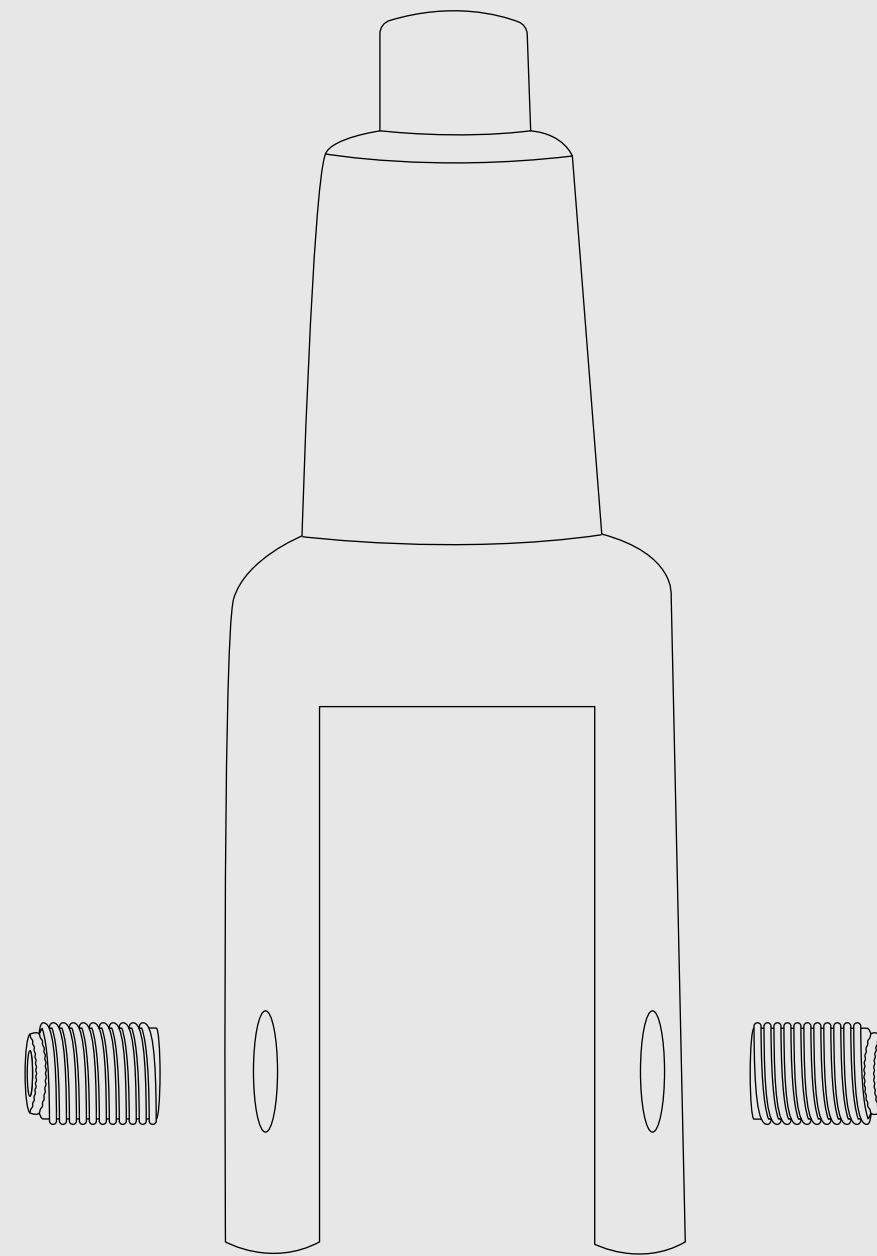
# Stationary Hardware Connection

CEILING CONNECTION (A)

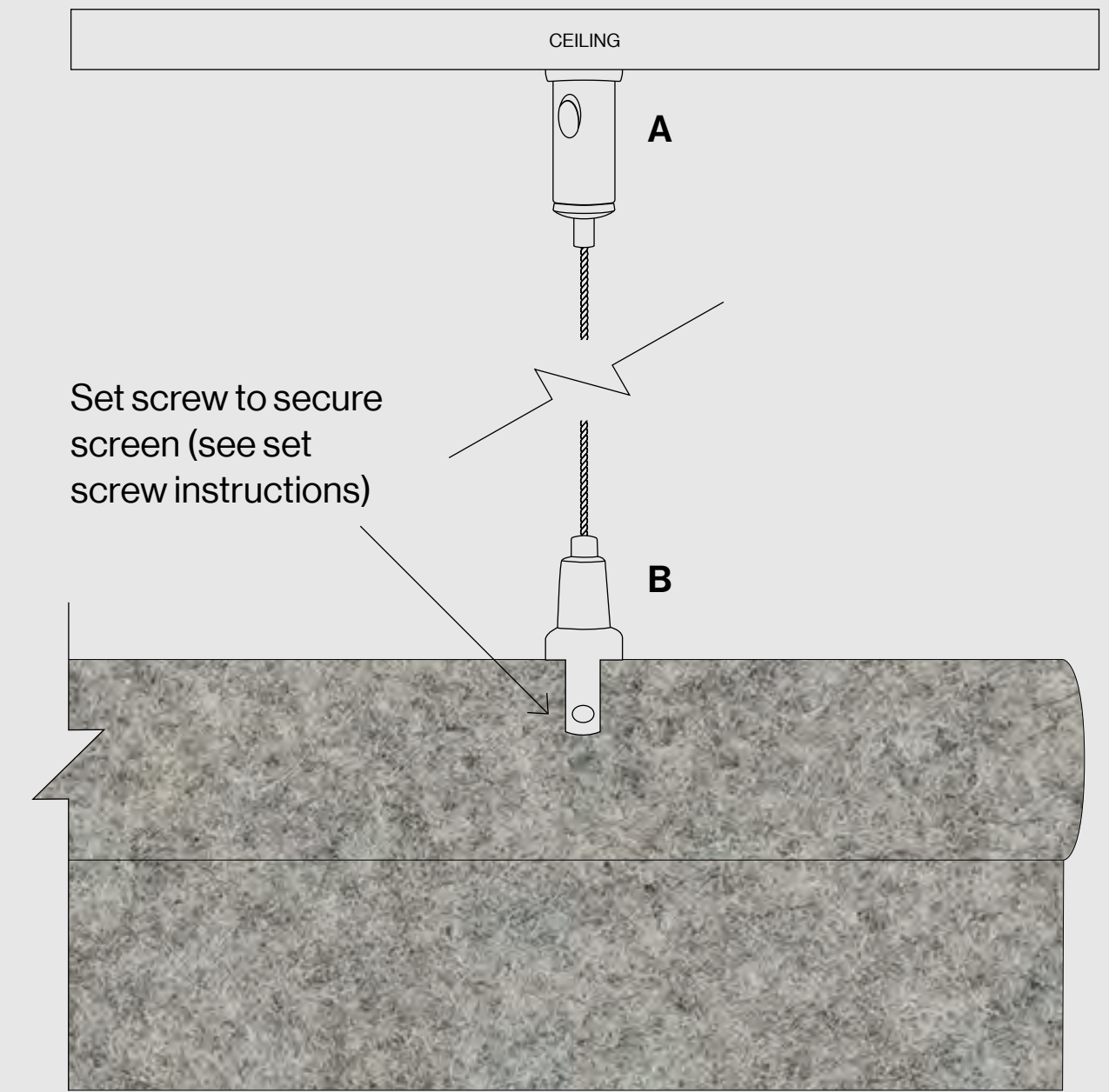


**A.**  
Adjustable Anchor

SCREEN LEVEL CONNECTION (B)



**B.**  
U-Connector and set screws

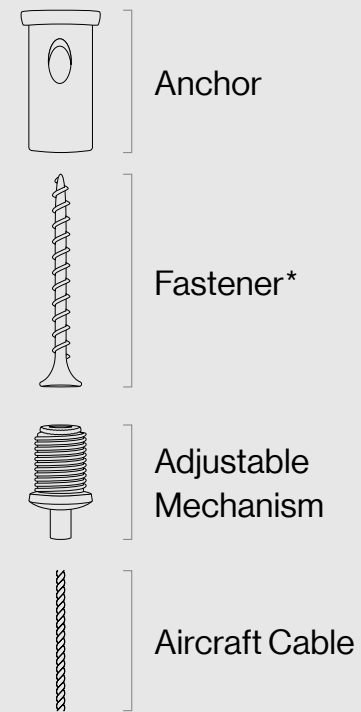


\*Minimum Clearance: 2.5" / 63.5mm

# Stationary Hardware Assembly

## Adjustable Anchor

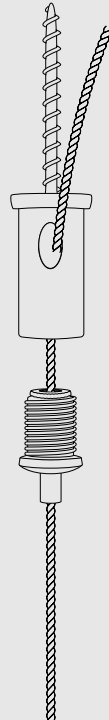
**1.**  
Ensure all parts are present.



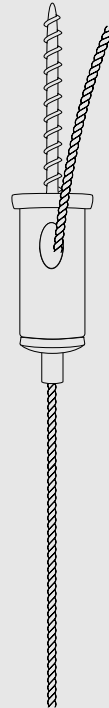
**2.**  
Place fastener\* through anchor casing—prepared to connect substrate. Then thread cable through adjustable mechanism.



**3.**  
Fasten anchor casing to substrate until secure. Thread cable through hole in anchor casing.

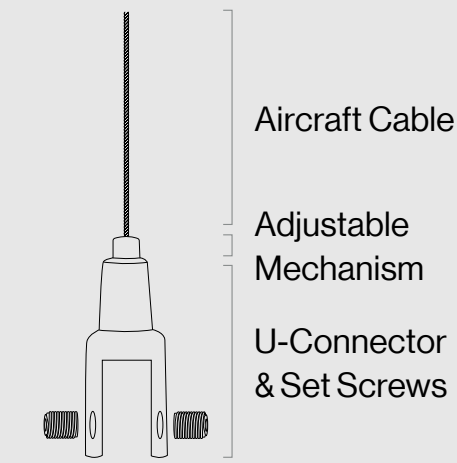


**4.**  
Screw adjustable mechanism into anchor casing. Press button on mechanism and pull cable until desired length is achieved. Loop access cable neatly in case of future adjustments.

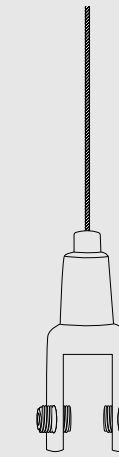


## U-Connector

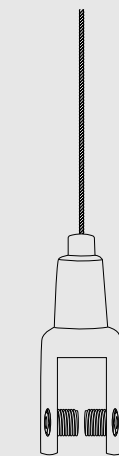
**1.**  
Ensure all parts are present.



**2.**  
Place U-Connector in the desired location on the Suspended Screen's T-Bar pocket. Install the set screws in the two holes on the side of the U-Connector.

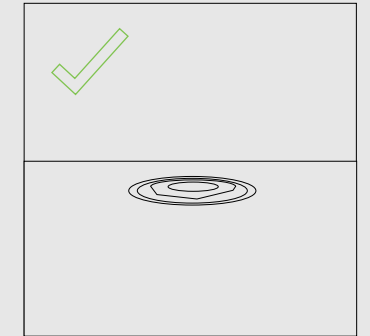


**3.**  
Tighten set screws until the ends are flush with the edge of the U-Connector.

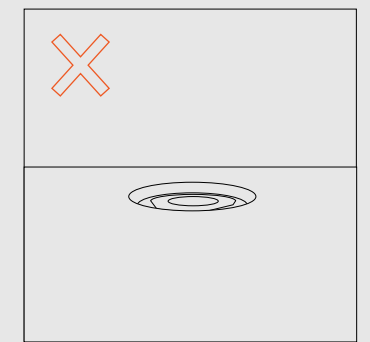


## Set Screws

The set screws should be flush with the hardware.



Do NOT over-tighten the set screws as it can damage the hardware.

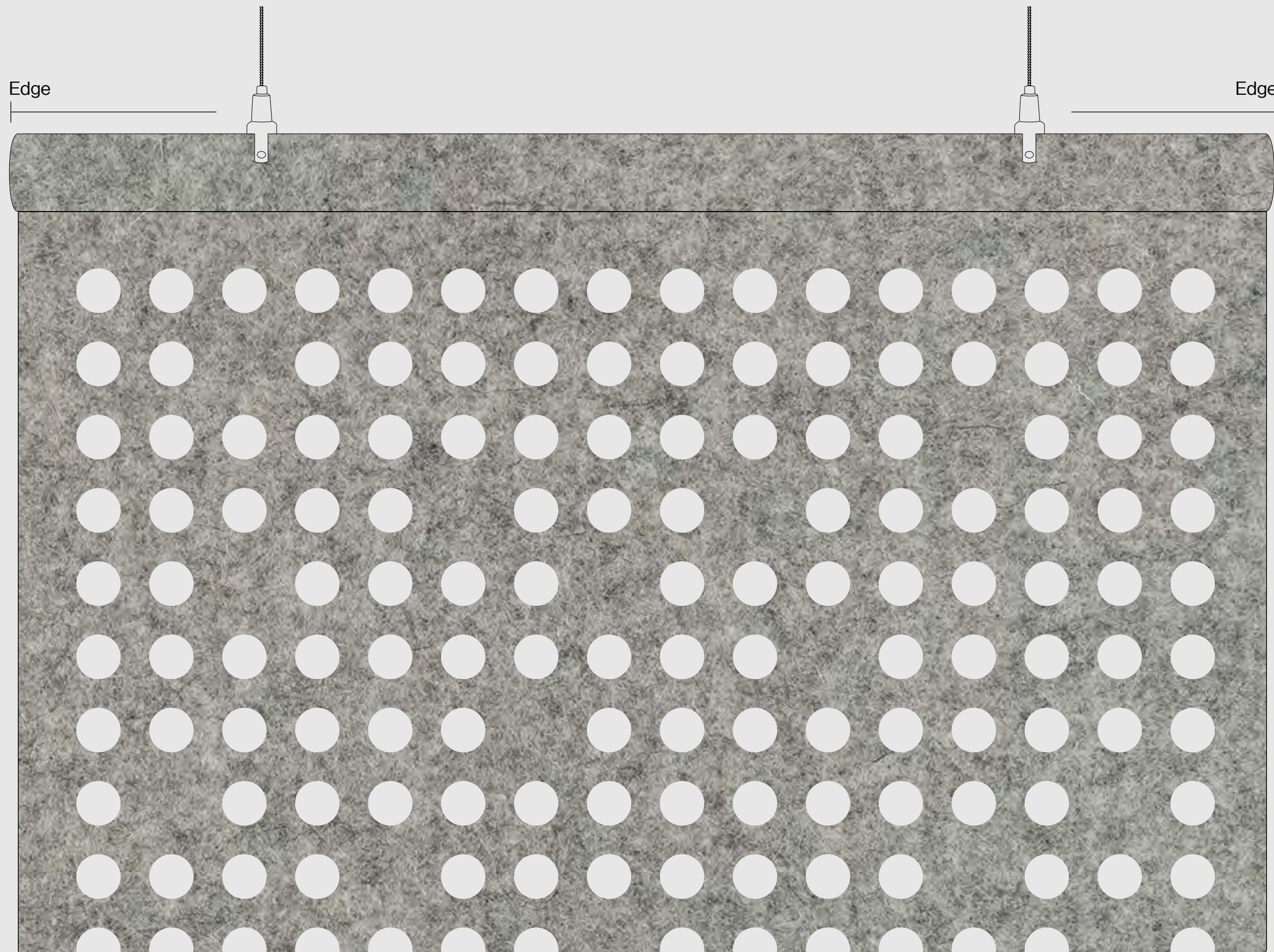


\*Installer must source specific to substrate.

# Stationary Hardware Hanging Point Location

On a standard screen of 48" wide and 96" high the U-Connector can be placed approximately 6 inches from the edge of the screen. Depending on the size of the screen the location of the hanging point may change. Please inquire for more information.

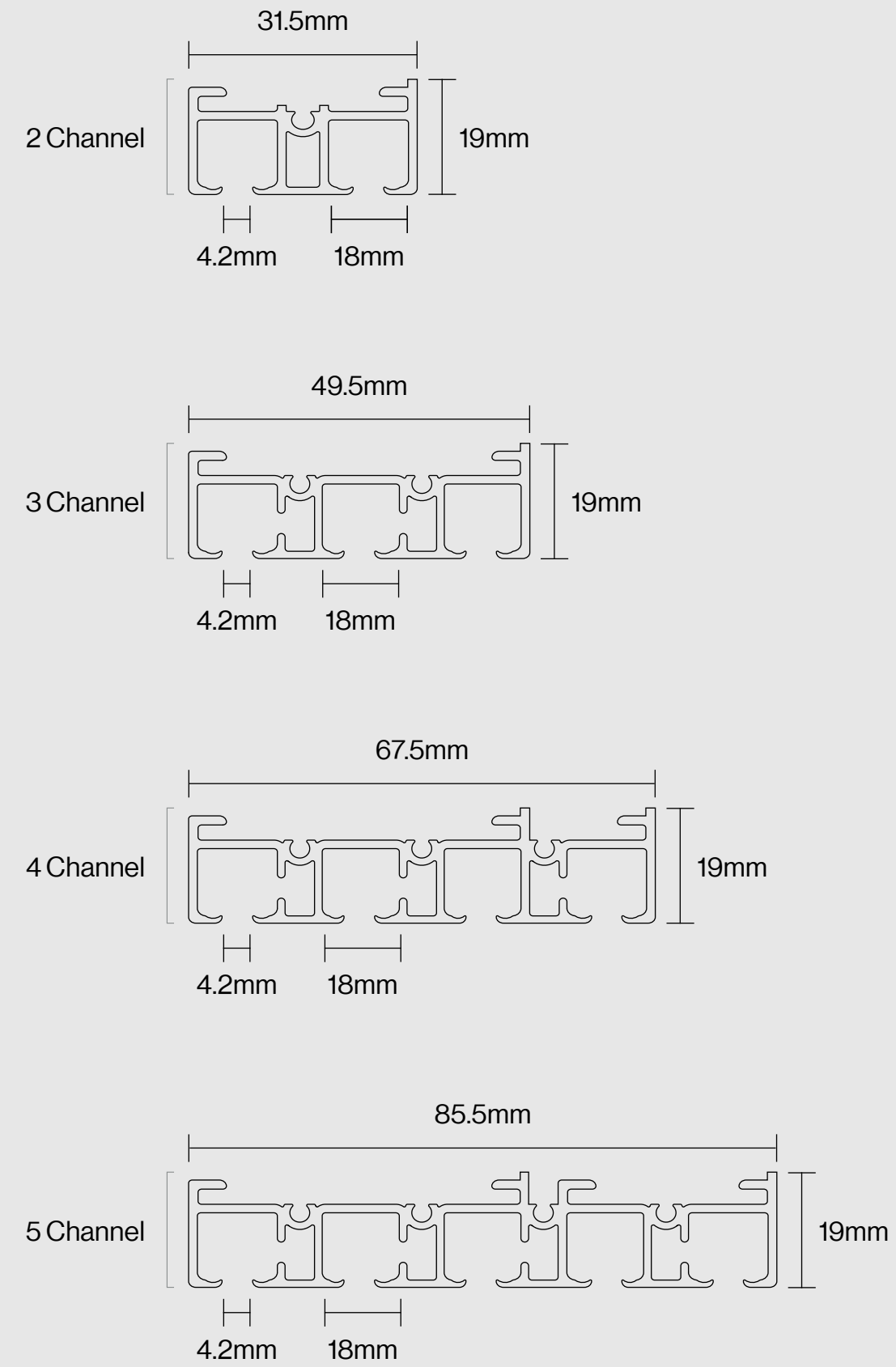
## Standard Location



# Track Mounted Hardware

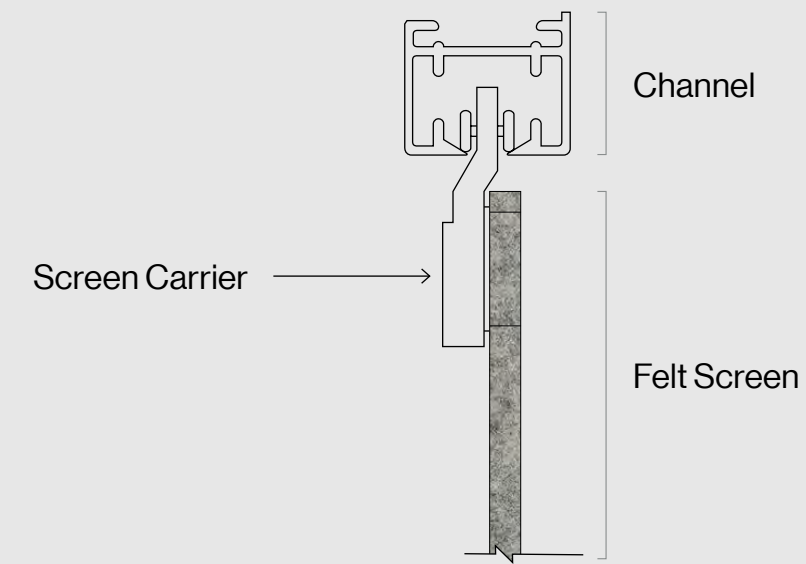
We offer tracks available in multiple channels to accommodate more than one screen at a time if desired. This allows for a large space to be opened or closed easily within your control.

## Channel Profile

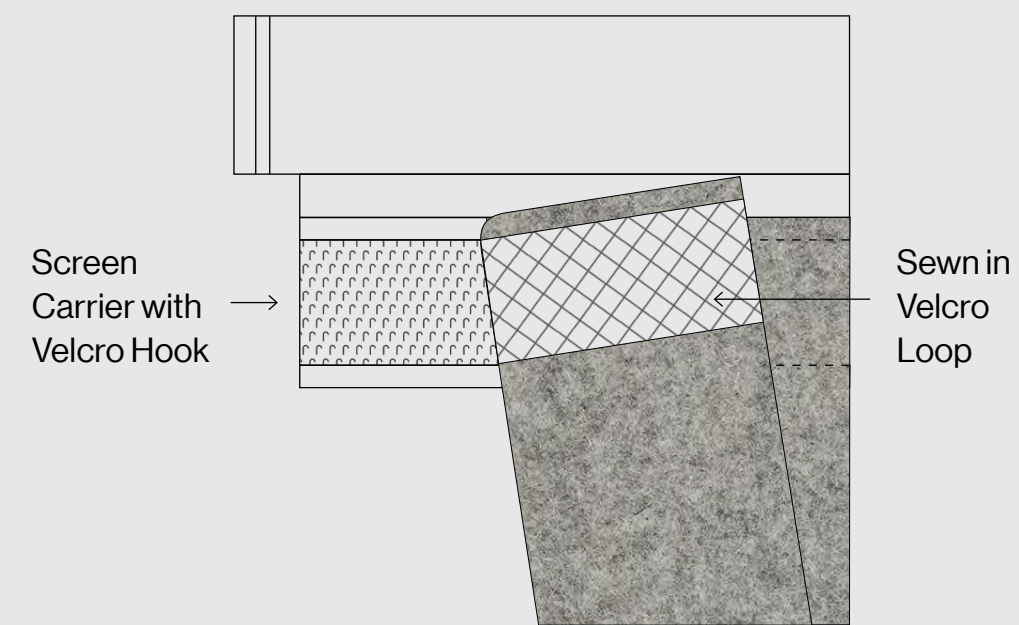


Various channel combinations can be achieved by grouping multiple tracks together.

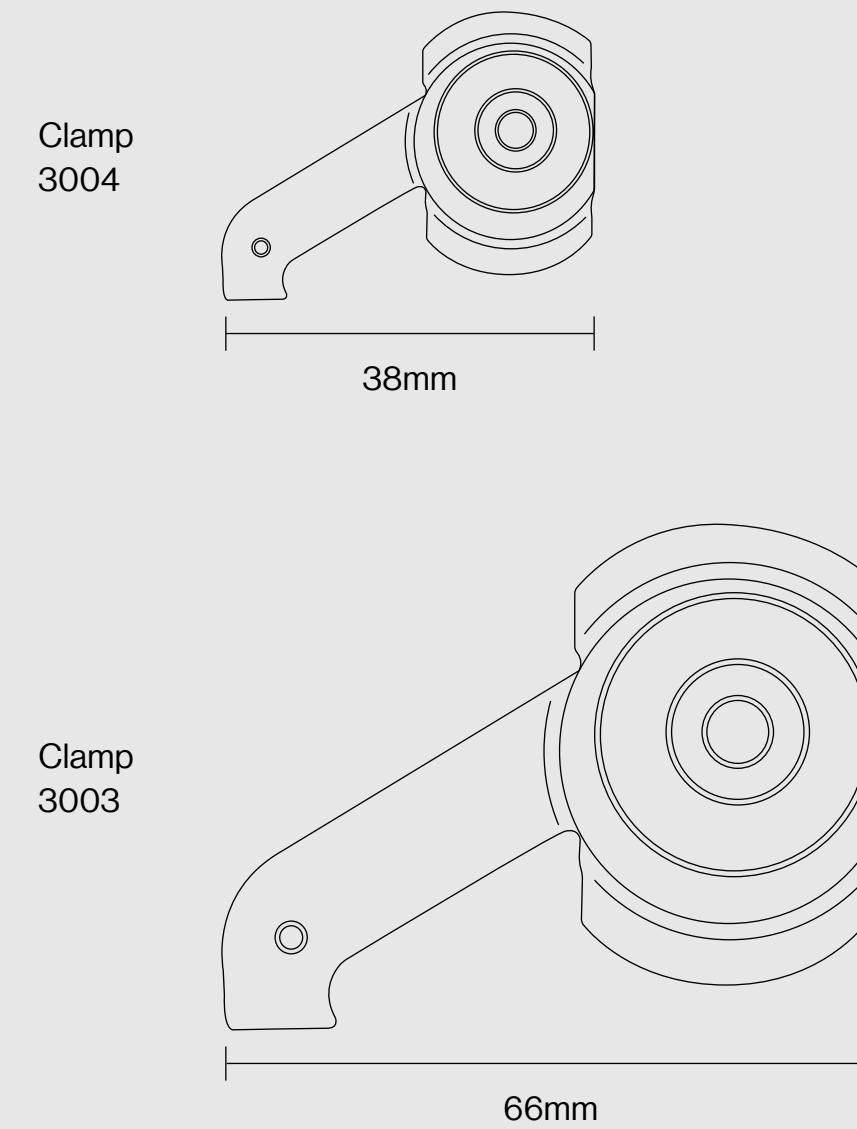
## Carrier Profile



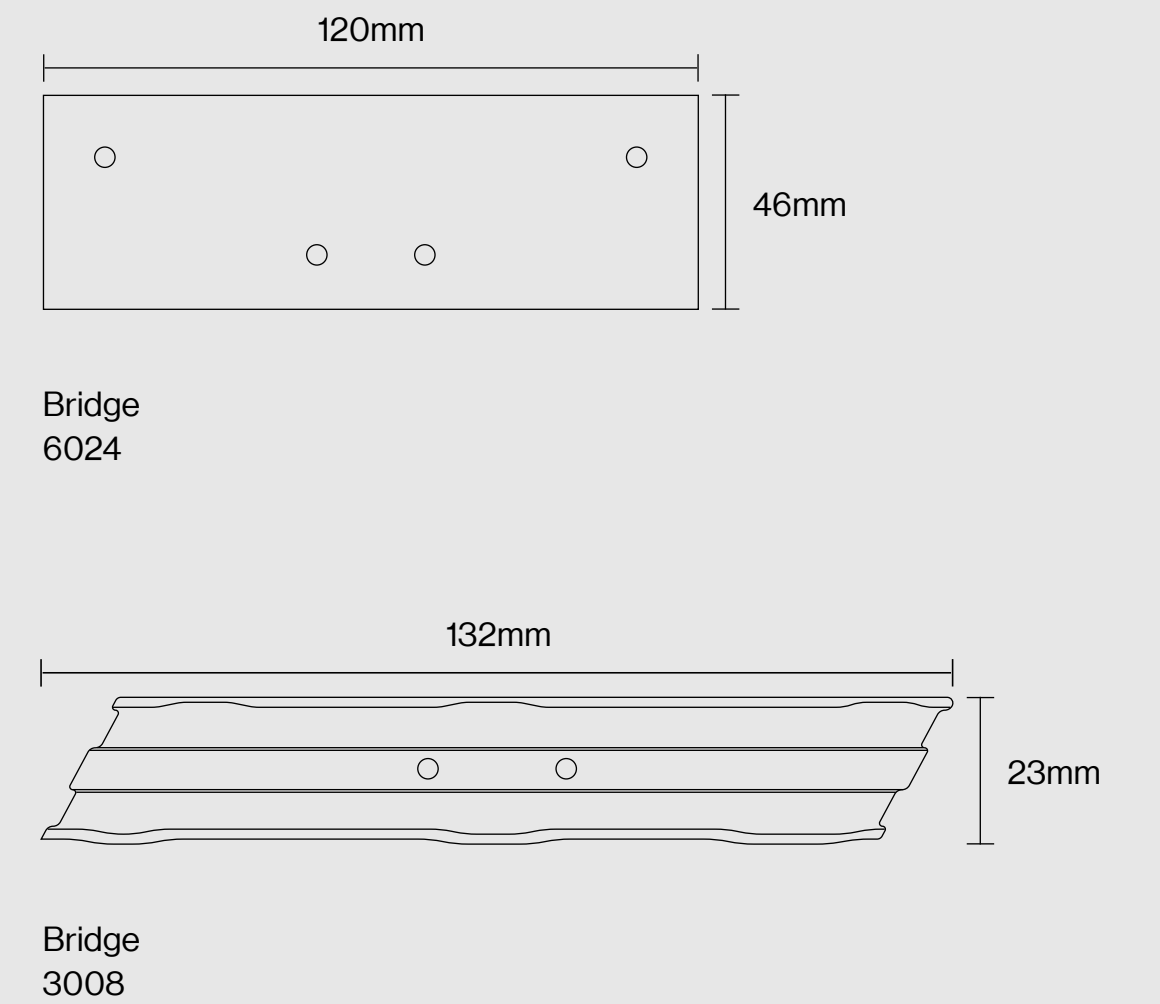
## Carrier Front Elevation



## Clamp

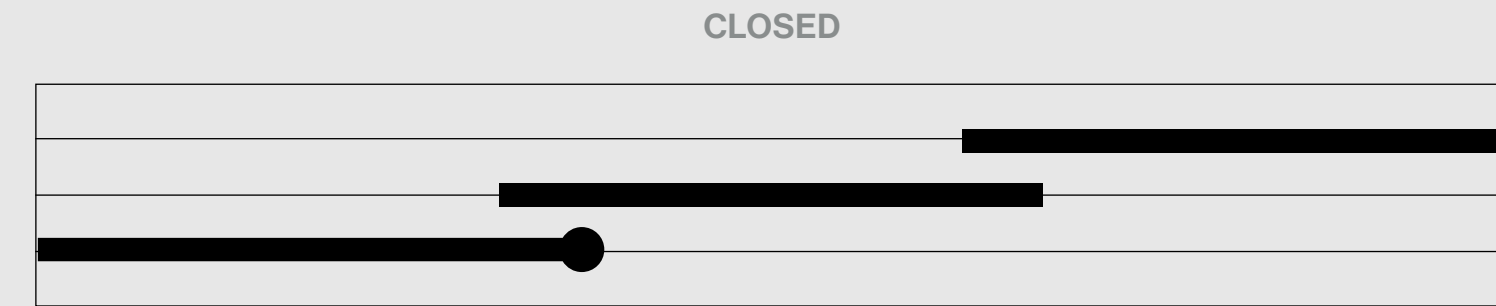
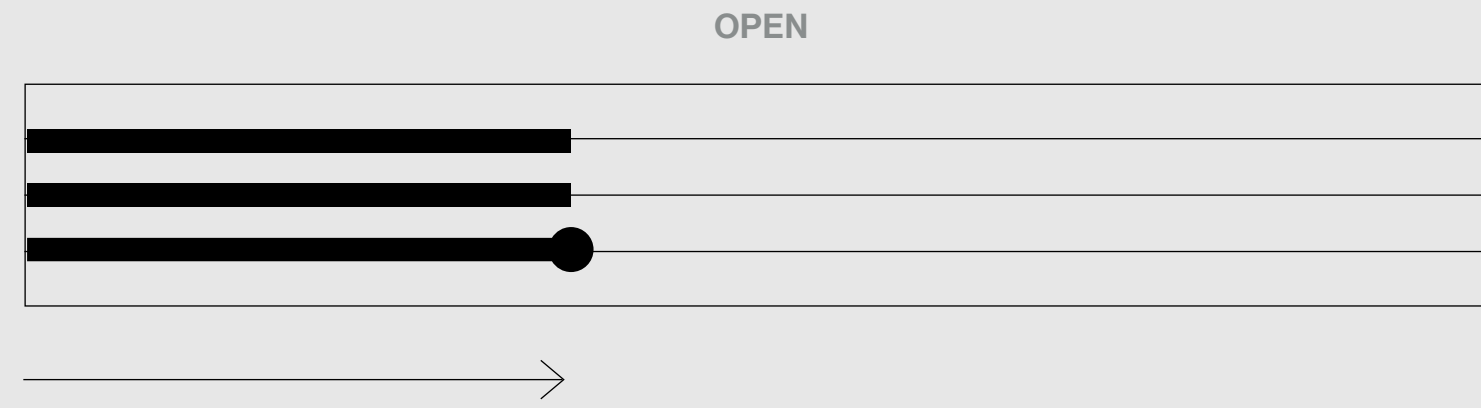


## Connecting Bridge

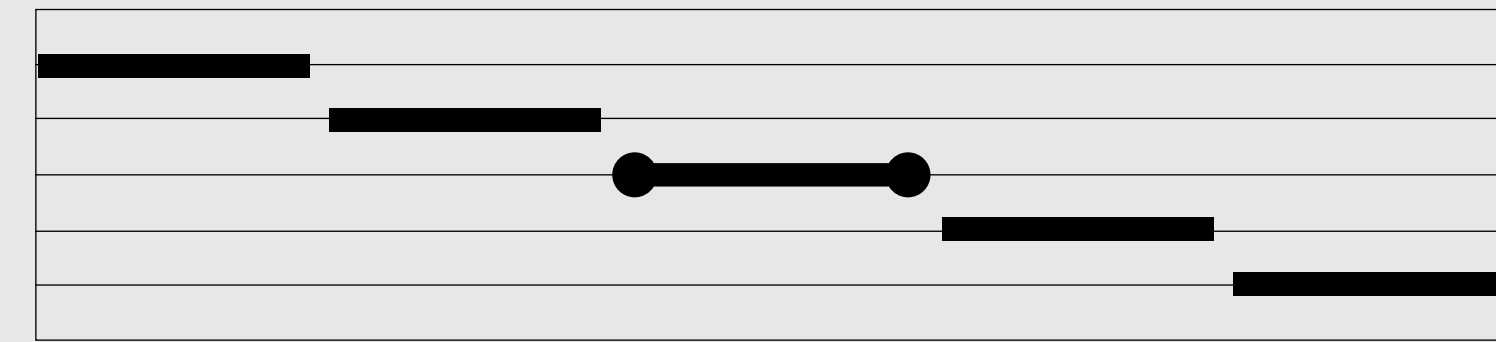
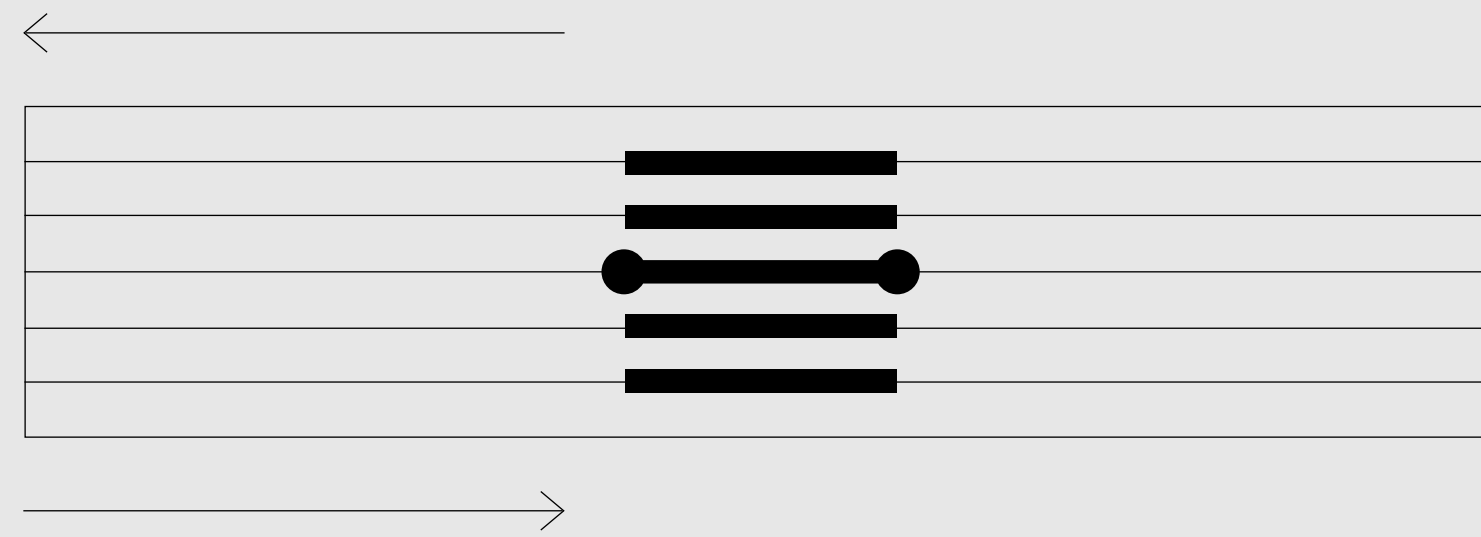


# Track Mounted Hardware Stacking

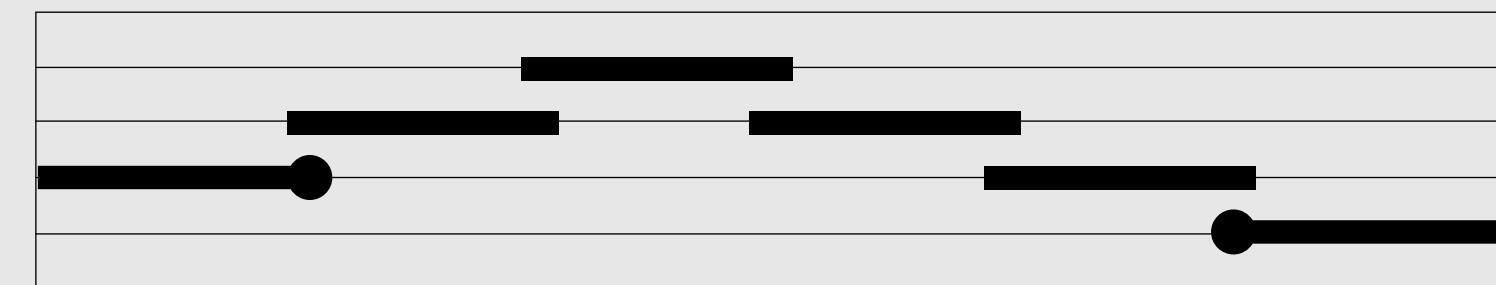
Option A  
(Single Stack)



Option B  
(Center Stack)

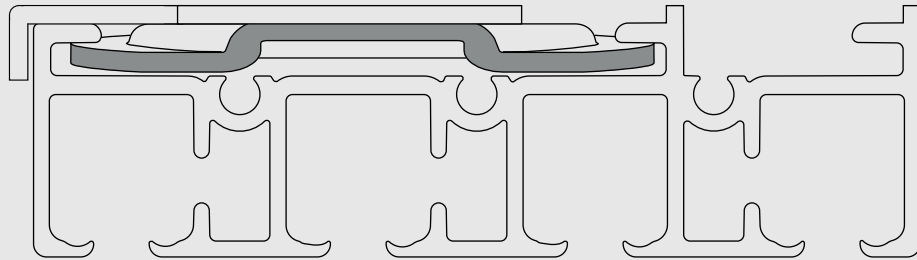


Option C  
(Pair Stack)



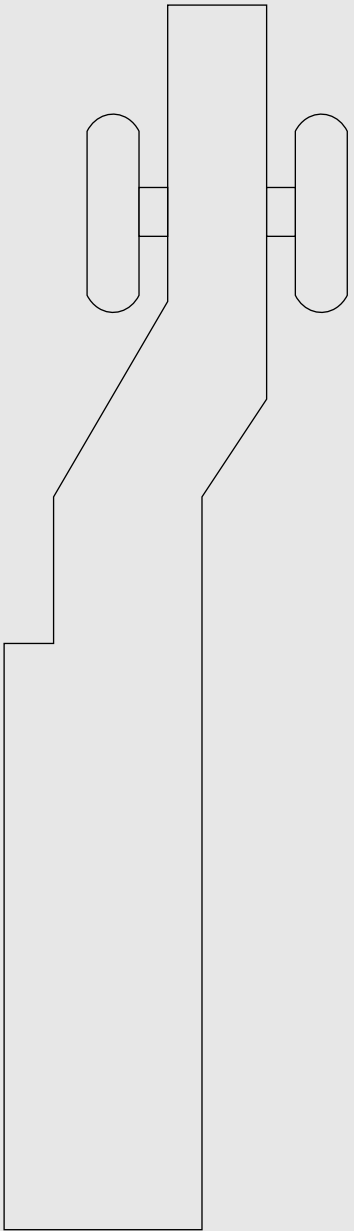
# Track Mounted Hardware Connection

CEILING CONNECTION

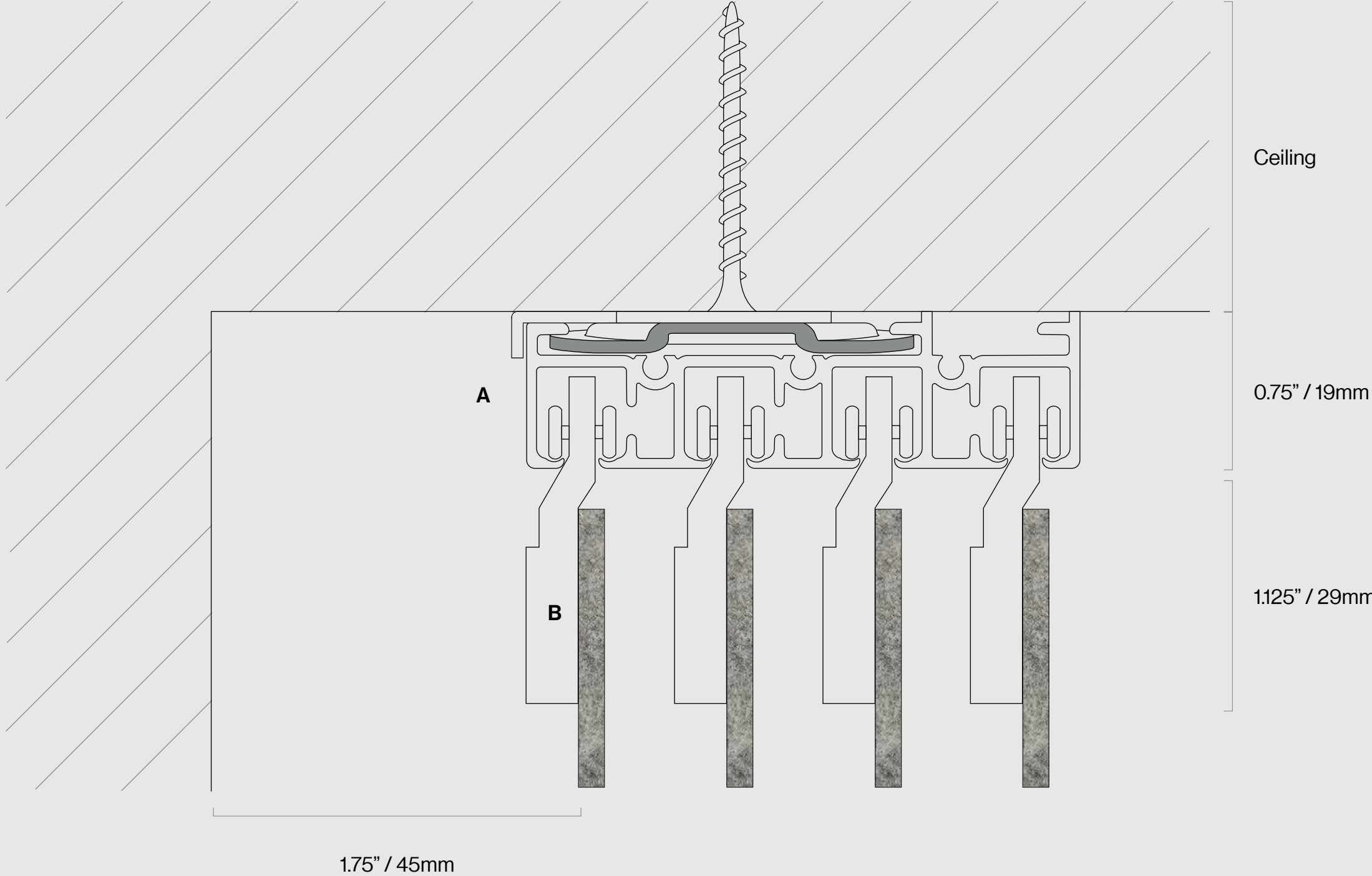


**A.**  
Channel & Clamp

SCREEN LEVEL CONNECTION



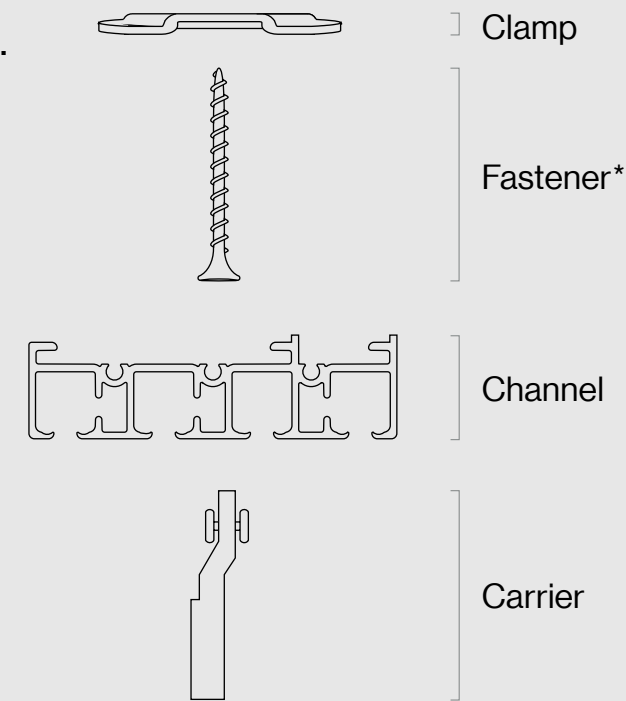
**B.**  
Carrier



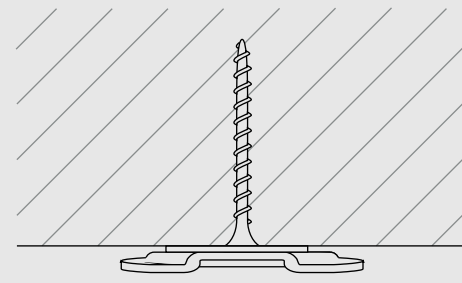
# Track Mounted Hardware Assembly

## Track Mounted Hardware

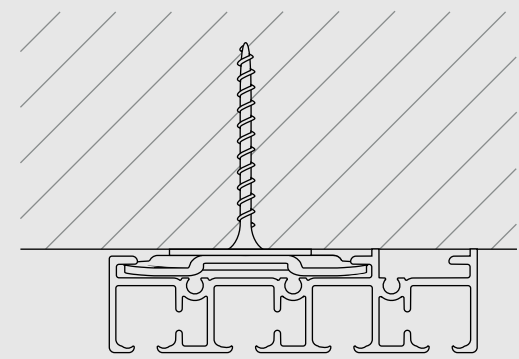
**1.**  
Ensure all parts are present.



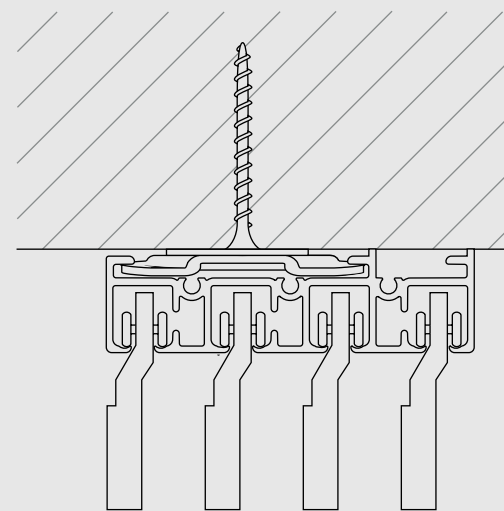
**2.**  
Place fastener\* through the clamp to the substrate until secure.



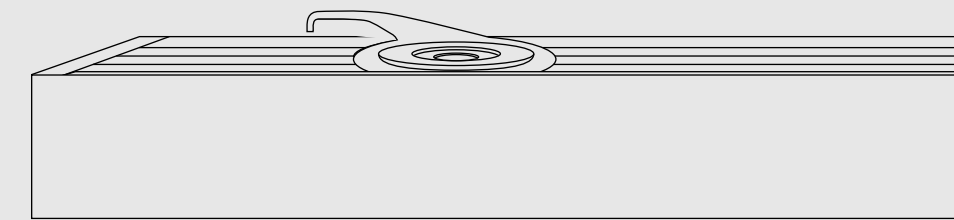
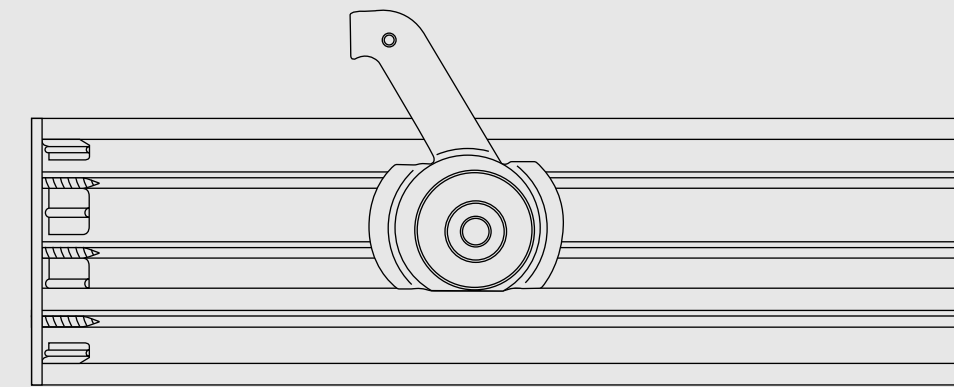
**3.**  
Fasten the channel profile to the clamp and close the clamp securely. See Ceiling Fitting Clamp Open and Close for details.



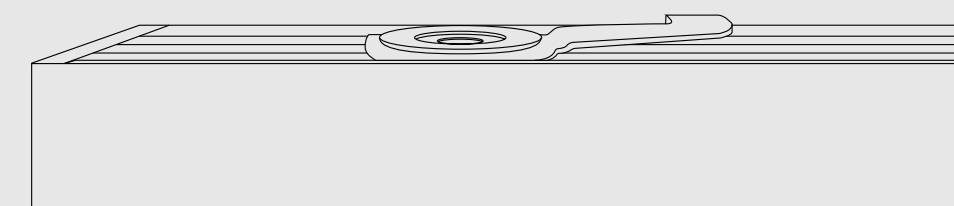
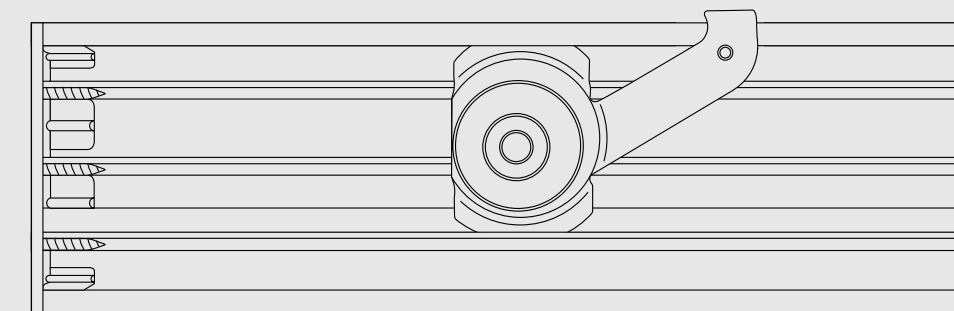
**4.**  
Slide individual carriers into the respective channel tracks and cover the track ends.



## Ceiling Fitting Clamp Open

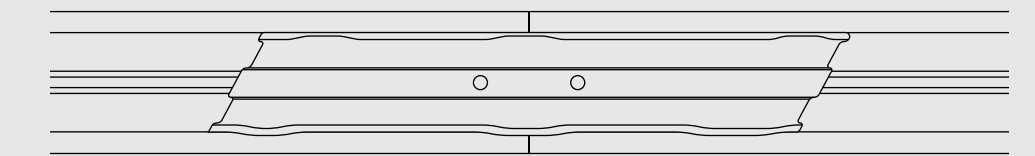


## Ceiling Fitting Clamp Closed

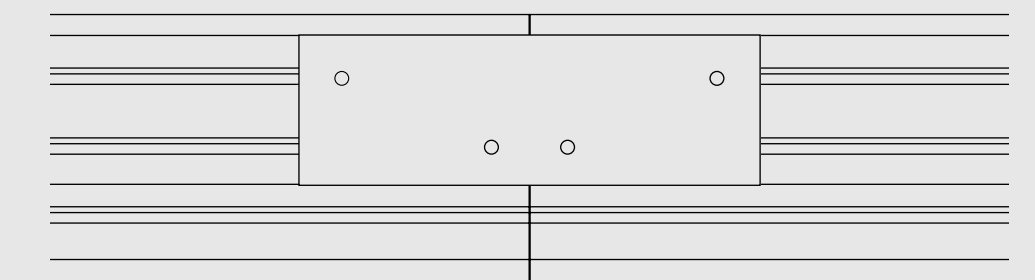


## Connecting Channels

Connecting 2 Channels



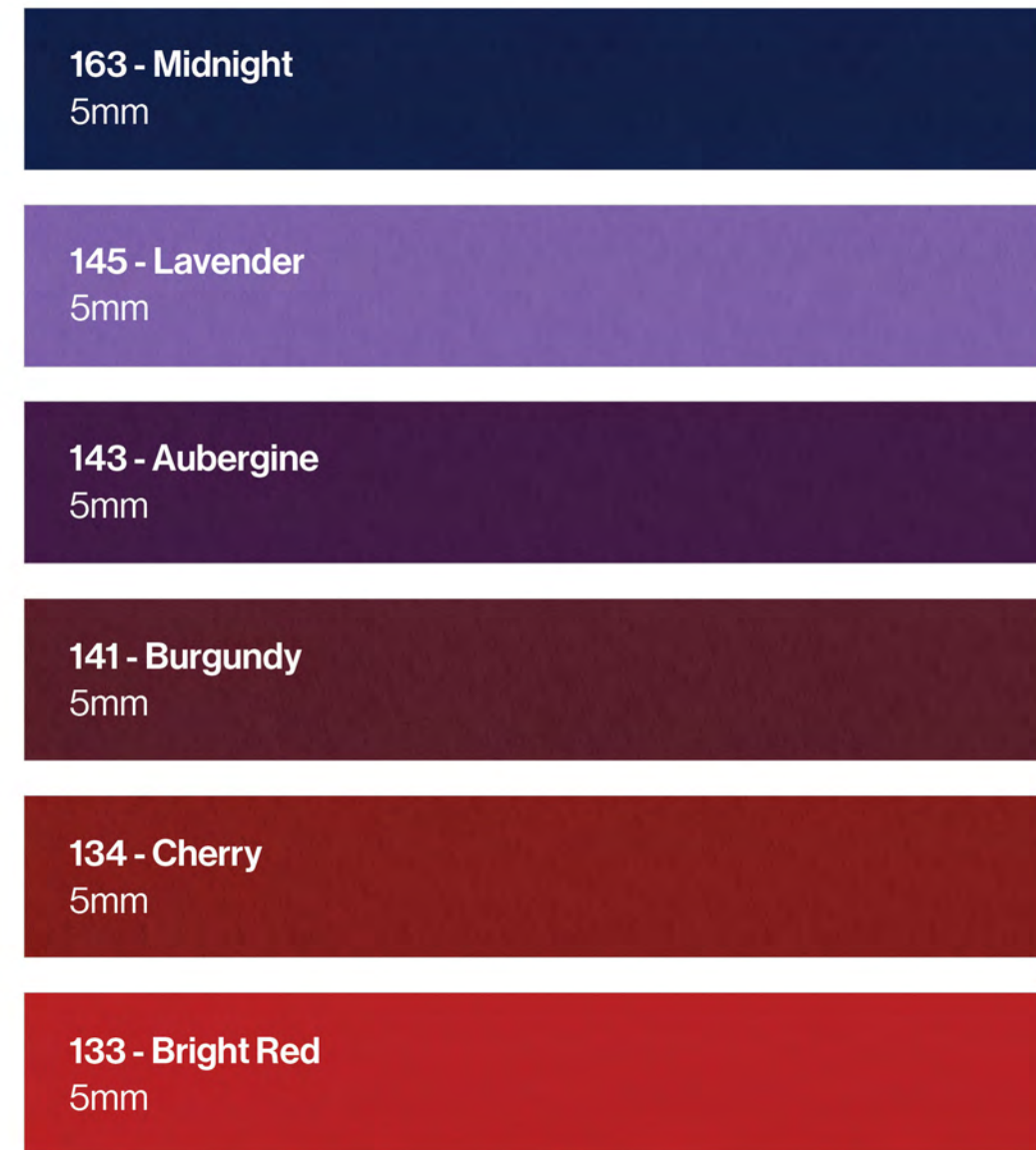
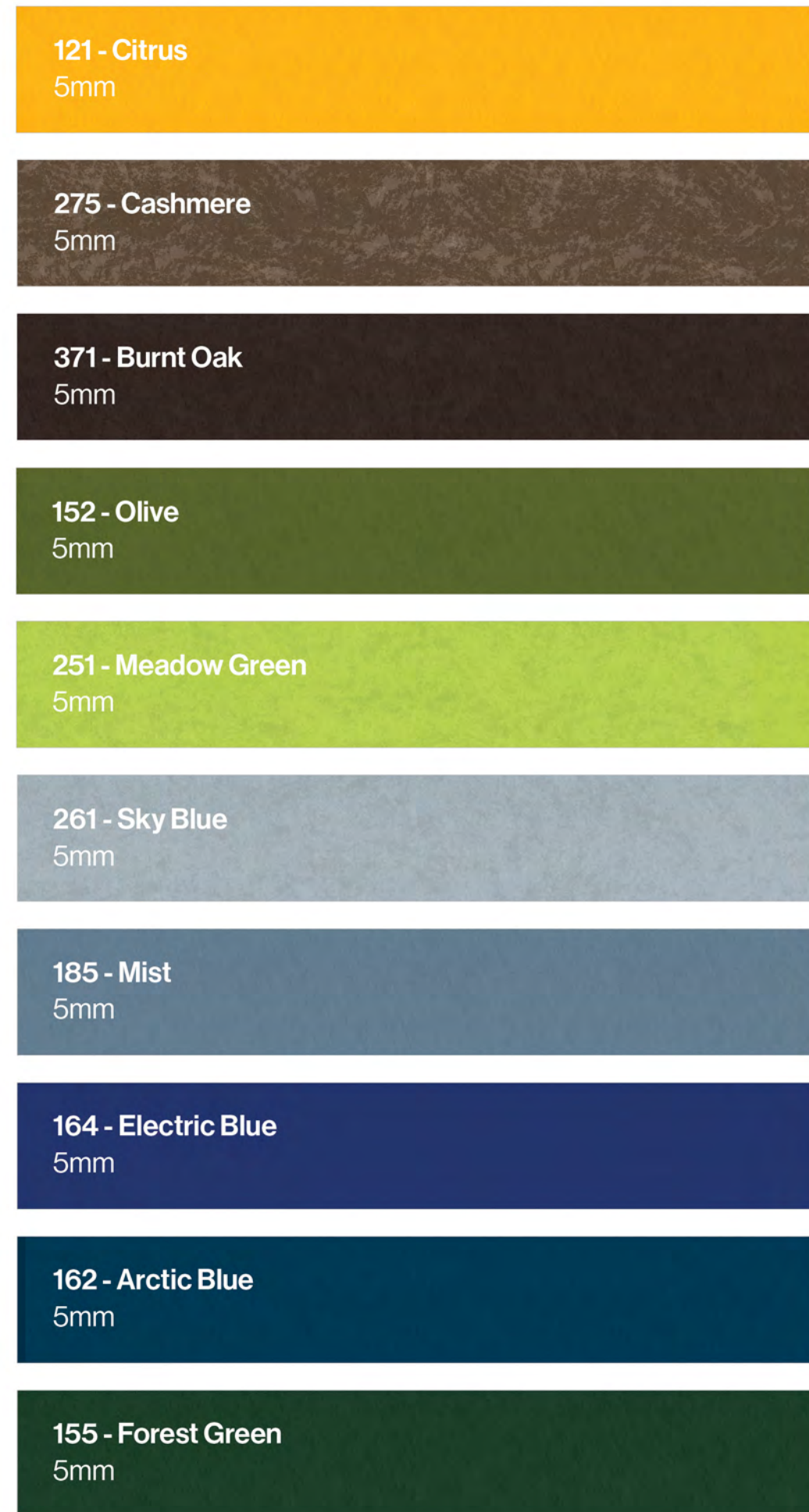
Connecting 3-5 Channels



Connect channel profiles together to extend tracks using a Connecting Bridge and provided set screws. Dimensions may vary depending on channel profile.

\*Installer must source specific to substrate.

# Wool Designer Felt



## Custom

We collaborate with designers and architects, offering our expertise to guide ideas from concept to creation through the unique possibilities of wool felt. As a non-woven material, felt lends itself to intricacy and elegance beyond the reach of other textiles—an ideal medium for refined, expressive design in a soft finish.

Custom thickness and colors available upon request.



# Suspended Screens - Stationary / Track Mounted Specifications



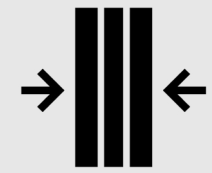
## Content

100% Wool Designer Felt  
Aluminum weighted bars and support



## Durability

Contract



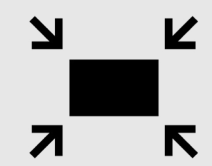
## Screen Thickness

100% Wool Designer Felt - 0.197" / 5mm (nominal)  
Top Bar - 1.125" / 29mm (nominal)  
Bottom Bar - 0.75" / 19mm (nominal)



## Lead Time

All product is made to order. Please inquire for current lead times.



## Standard Sizes

34" wide x 96" high / 864mm wide x 2438mm high  
48" wide x 96" high / 1219mm wide x 2438mm high  
69" wide x 96" high / 1753mm wide x 2438mm high

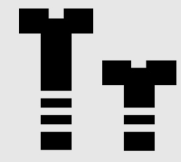


## Weight

Approximately 0.65 lbs per square foot (not including hanging hardware).

\*All dimensions nominal - custom sizes available - maximum size 69" wide x 114" high / 1753mm wide x 2896mm high.

# Suspended Screens - Stationary / Track Mounted Specifications



## Hardware

Stationary Hardware: U-Connector (with set screws) and Adjustable Anchor (U-Connector comes preinstalled).  
Aircraft Cable: approximately 48” cable provided.

Track Mounted: 2 - 5 Channels, ceiling mounted, different stacking styles available (standard track color is white).

All Suspended Screens come with a weighted flat bar sewn into a pocket at the base of the panel.

## Ceiling Attachment Options:

All fasteners must be sourced by installer as they are not provided by Interior Felt unless specifically arranged in advance.



## Installation

Relax material prior to installation.

U-Connector comes preinstalled on the top bar of the Stationary Suspended Screens — please check set screw instructions to ensure nothing has shifted in transportation or handling. If necessary add Loctite to set screws for extra stability.

Stationary Suspended Screens can be mounted with a pair of stationary hardware systems fixed solely to the top bar, however for additional stability in high traffic areas a second pair can be fixed to the bottom to reduce additional movement from changes in airflow.

Please inform us at time of order as this might change our production process.

To purchase additional hardware please contact us at [sales@interiorfelt.com](mailto:sales@interiorfelt.com).

# Suspended Screens - Stationary / Track Mounted Specifications



## Environmental

### 100% Wool Designer Felt



Oeko-Tex® Standard  
100 Product Class



LEED® Credit  
Contributor  
Biodegradable



100%  
VOC Free

## Declare.

LBC  
Red List Free



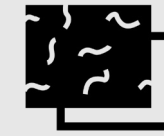
## Colorfastness to Light

Class 4-5



## Flammability

Reports available upon request.



## Variation

With wool felt being a natural material there may be natural variation within the material. This may include rare colored dots known as Smit Marks, color variation due to the natural wool color variation and the absorption of dyes, or fine vegetable matter. Complete color consistency is not guaranteed nor can it be expected, however if particular areas of a project site require higher consistency please inform us well in advance and we can do our best to accommodate by supplying similar dye lots when possible.



## Custom

Custom dimensions up to 69" W x 114" H.  
Please inquire for more information.

# Suspended Screens - Stationary / Track Mounted Specifications



## **Maintenance**

Handle with care. To remove any accumulation of airborne particles, Interior Felt products can be occasionally vacuumed with an upholstery brush, brushed by hand or with a lint brush or roller. When dusting, it is normal to encounter a slight shedding of fibers. These loosened fibers are not a sign of any defect and will decrease over time.

Wet spills should be blotted up as soon as possible with a dry cloth. All wool fibers have a naturally-occurring fatty coating called lanolin. This substance makes wool water-repellent and provides inherent stain resistance. Felt is not waterproof, but its inherent resistance to liquids creates some delay time before spills soak through and cause a stain.

Other wet spills may be spot cleaned with warm water or a mild dry-cleaning solvent. Clean soiled areas gingerly to avoid warping the felted surface.

## **Helpful Tips:**

We strongly recommend testing any cleaning method on spare material or less visible areas first.

In addition to occasional dusting, felt products may need to be vacuumed once per year.

If stains cannot be removed with spot cleaning, we recommend seeking professional dry cleaning services that have experience with wool.

# interior felt

## Contact

1844 312 3358  
sales@interiorfelt.com  
interiorfelt.com

## Our Headquarters

2559 Wharton Glen Ave.,  
Mississauga, Ontario  
L4X 2A8, Canada

## Our US Office

1971 Abbott Rd., Bay 2  
Lackawanna, New York  
14218, USA

## Our Warehouse

1735 Mattawa Ave., Unit 2  
Mississauga, Ontario  
L4X 1K5, Canada

